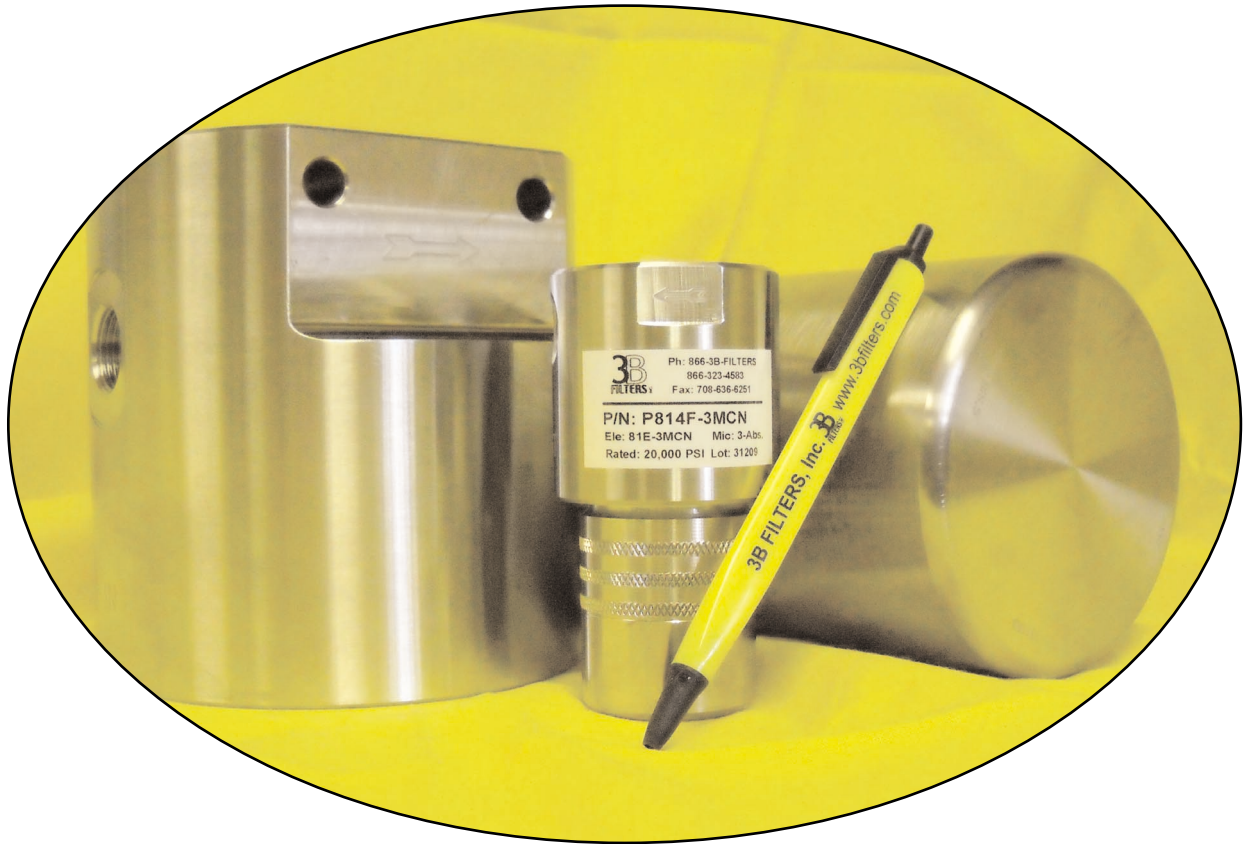




MANUFACTURER  
FOR  
THE FILTER INDUSTRY  
SINCE 1978

## 8100 SERIES

Mini Tee-Type Filters (2.0" x 3.5")  
Up To 10,000 PSI Operating



*Also, ask for the 3B Interchange Guide with over 100,000 interchange elements available.*



4642 West 92nd Street  
Oak Lawn, IL 60453  
Phone (708) 636-6240  
Toll Free 866-3BFILTERS (323-4583)  
Fax (708) 636-6251  
sales@3bfilters.com

# HOW TO ORDER

## EXAMPLE FILTER ASSEMBLY

<b>G</b>	<b>81</b>	<b>4F</b>	-	<b>3M</b>	<b>D</b>	<b>S</b>
<b>A</b>				<b>B</b>	<b>C</b>	<b>D</b>

## EXAMPLE ELEMENT ASSEMBLY

<b>81E</b>	-	<b>1PM</b>	<b>F</b>	<b>S</b>	*
		<b>B</b>	<b>C</b>	<b>D</b>	-

\* Add GS for water removal screen

### A

HOUSING MATERIAL	
G	316 SS 5,000-PSI
P	17-4 PH 10,000-PSI

### C

COLLAPSE RATING	
CODE	DESCRIPTION
A	Cellulose 150-PSI
B	Cellulose 300-PSI
C	Microglass 300-PSI
D	Microglass 3,250-PSI
E	304 Wire Mesh 4,5000-PSI
F	316 Sintered 2,000-PSI

### B

MICRON RATING						
CODE	NOM.	ABS	C	M	PM	W
1PM	0.2	0.5			x	
1M	N/A	1		x		
2PM	0.5	1			x	
3M	N/A	3		x		
3PM	1	3			x	
4PM	3	5			x	
6M	N/A	6		x		
10W	2	10				x
3C	3	10	x			
12M	N/A	12		x		
18W	5	18				x
10C	10	25	x			
25M	N/A	25		x		
25W	10	25				x
75W	40	75				x
100W	75	100				x
200W	100	200				x

C = Cellulose  
M = Microglass  
PM = 316 Sintered Metal  
W = 304 Woven Wire Mesh

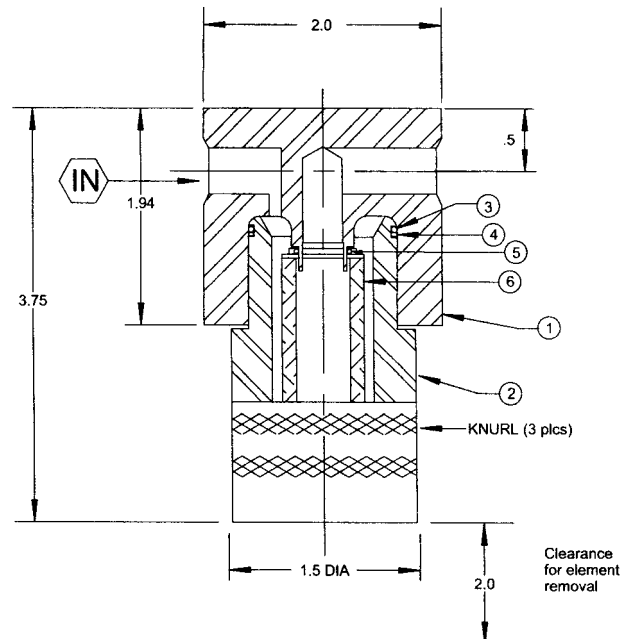
### D

O-RING SPECIFICATIONS		
CODE	MATERIAL	TEMPERATURES
N**	Nitrile(Buna)	-40° to 250°F
V**	Viton®	-20° to 400°F
E	Ethylene Propylene	-60° to 300°F
T	Teflon®	-320° to 450°F
K	Kalrez®	-40° to 550°F
S	Teflon Encapsulated Viton Core	-10° to 300°F

\*\*for 90- durometer add 9 to code (example: V9)  
@DuPont

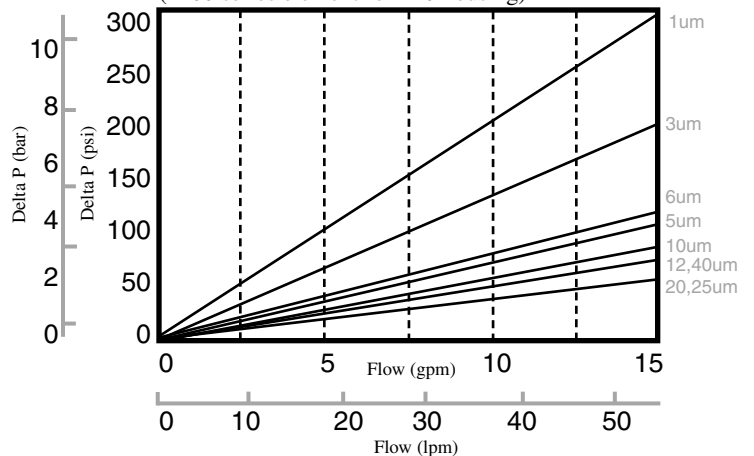
## Specifications

Housing	G	P
Material	316 SS	17-4PH
Operating (psi)	5,000	10,000
Proof (psi)	7,500	15,000
Burst (psi)	20,000	40,000
Weight (lbs.)	2.5	2.5
Port Size	1/4 NPT	1/4 NPT



**Consult Factory  
on use of Teflon  
Over 6,000 - PSI**

Clean Element Pressure Drop  
(1100 series element for 410 housing)



4642 West 92nd Street  
Oak Lawn, IL 60453  
Phone (708) 636-6240  
Toll Free 866-3BFILTERS (323-4583)  
Fax (708) 636-6251  
sales@3bfilters.com