



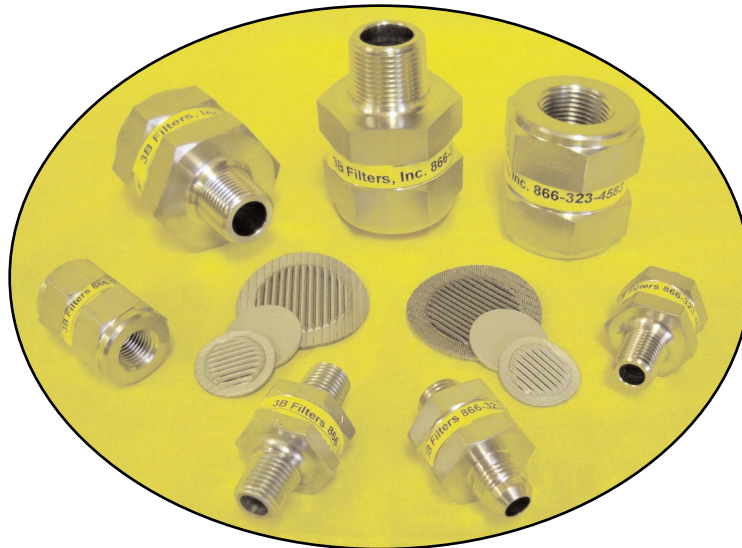
MANUFACTURER  
FOR THE  
FILTER INDUSTRY  
SINCE 1978

## 82 SERIES

All Stainless Steel

Multi-Use Compact In-Line Filters

1" HEX-6000 PSI    1-3/4" HEX-3000 PSI



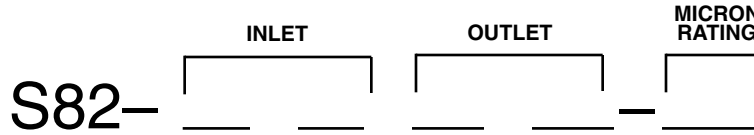
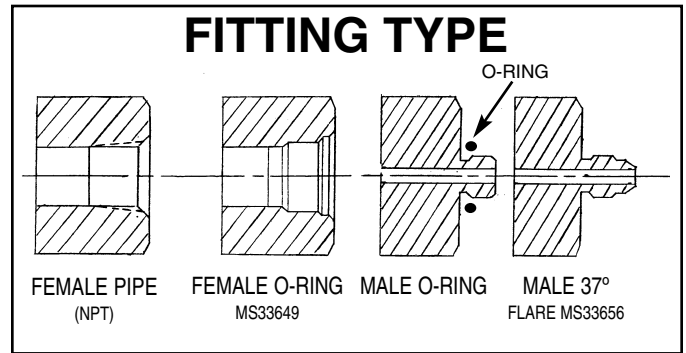
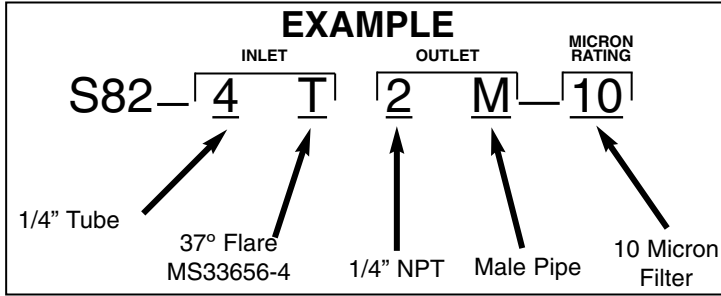
**The S82 Series Compact, Low Cost Filter will allow a variety of uses in close quarters, giving super precision protection for your most critical filtration applications.**

**This compact filter is recommended in applications where the pressure drop is less than 500 PSID.**

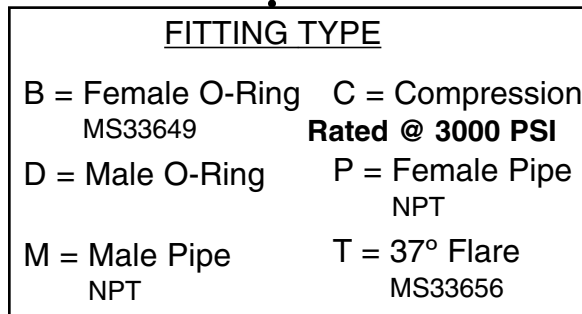
- ★ S82 compact in-line filters are made of 1" and larger hex 304 stainless steel with precision pleated 304 stainless steel wire mesh discs usable at temperatures of -320°F to +550°F.
- ★ Quick delivery in larger hex sizes rated at 3000 PSI with assorted end connections (ports).
- ★ The element is precision pleated for strength and increased effective area.
- ★ Ideal where space is limited.
- ★ Nine micron ratings ranging from 2 to 300 micron wire mesh and .2 to 100 micron sintered metal.
- ★ Choose your own inlet - outlet porting for your particular application.
- ★ Can be cleaned by backflushing with solvent or other cleaning solutions.
- ★ Special inlet and outlet porting available, our specialty.
- ★ Special materials upon request.
- ★ All Units stamped with arrow for flow direction.
- ★ Inexpensive filter for: Laboratories - Test Stands - Meters - Pneumatic Systems - Gauges - Hydraulic Systems - and much more.

# HOW TO ORDER

S82 SERIES COMPACT IN-LINE FILTERS WELDED STAINLESS STEEL 3000 AND 6000 PSI\*



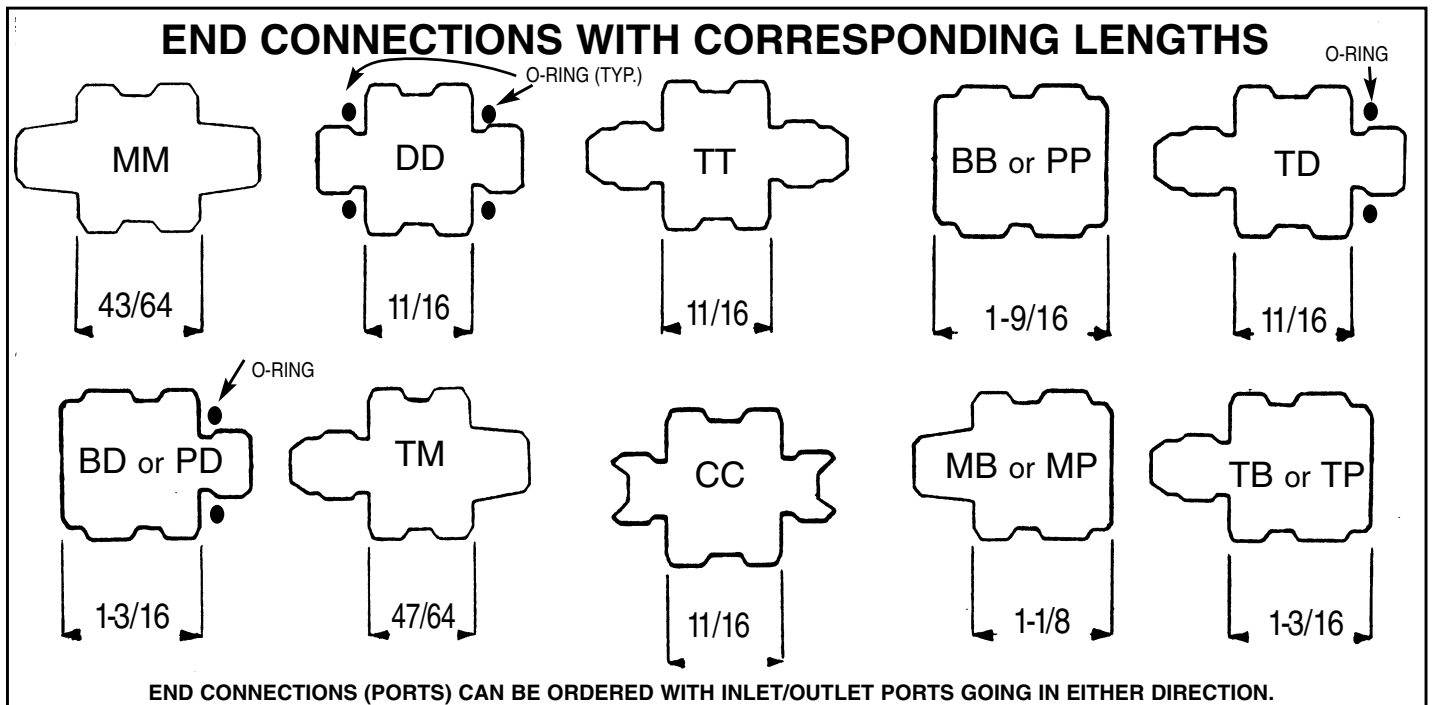
FITTING SIZE		
#	Pipe	Tube
1	1/8	-
2	1/4	1/8
3	3/8	3/16
4	1/2	1/4
6	-	3/8
8	-	1/2



MICRON RATING		
#	NOM.	ABS.
2X	2	10
02	2	15
05	5	20
10	10	25
20	20	40
40	40	75
75	75	100
100	100	150
200	200	300

SINTERED METAL		
1PM	.05	.20
2PM	.20	.70
3PM	.3	2
4PM	.8	5



\* HEX SIZES OVER 1" ARE RATED AT 3000 PSI.



4642 West 92nd Street  
 Oak Lawn, IL 60453  
 Phone (708) 636-6240  
 Toll Free 866-3BFILTERS (323-4583)  
 Fax (708) 636-6251  
 sales@3bfilters.com