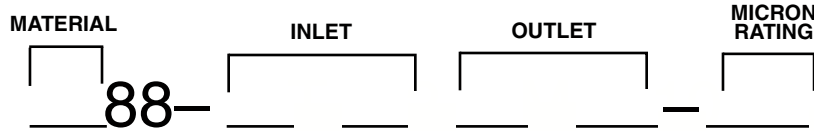
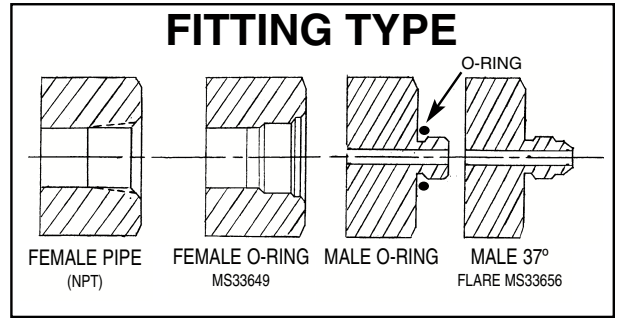
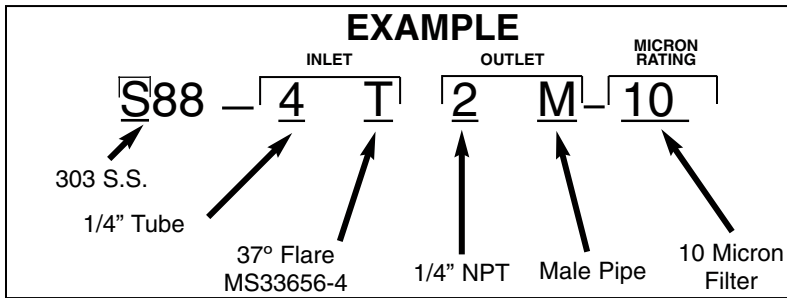


# HOW TO ORDER



HOUSING MATERIAL #	DESCRIPTION
G	316 S.S.
S	303 S.S.

FITTING SIZE #	FITTING SIZE	
	Pipe	Tube
1	1/8	-
2	1/4	1/8
3	3/8	3/16
4	1/2	1/4
6	-	3/8
8	-	1/2

**FITTING TYPE**

B = Female O-Ring      C = Compression  
MS33649

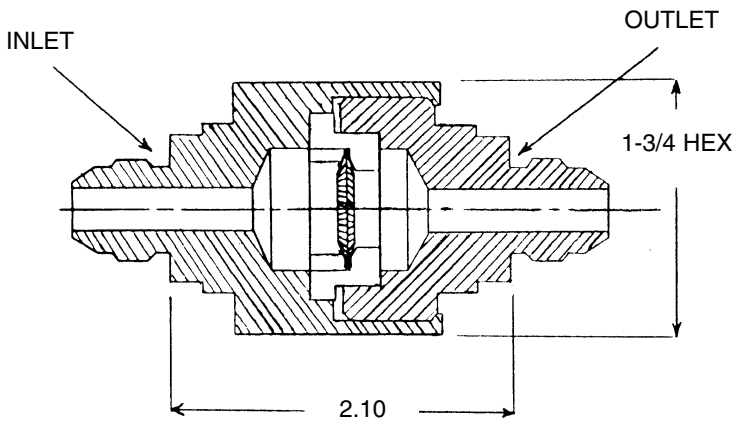
D = Male O-Ring      P = Female Pipe  
NPT

M = Male Pipe      T = 37° Flare  
NPT      MS33656

MICRON RATING #	MICRON RATING	
	NOM.	ABS.
10	2	10
15	2	15
18	5	20
25	10	25
40	20	40
75	40	75
100	75	100
150	100	150
300	200	300

**SINTERED METAL**

1 PM	.05	.20
2 PM	.20	.70
3 PM	.3	2
4 PM	.8	5



REPLACEMENT ELEMENT

88E



4642 West 92nd Street  
Oak Lawn, IL 60453  
Phone (708) 636-6240  
Toll Free 866-3BFILTERS (323-4583)  
Fax (708) 636-6251  
sales@3bfilters.com