

## 8500 SERIES

Up To 6,000 PSI

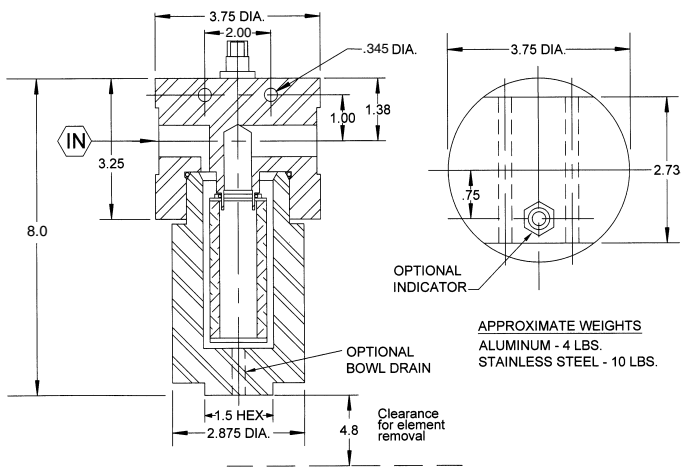


*Also, ask for the 3B Interchange Guide with over 100,000 interchange elements available.*

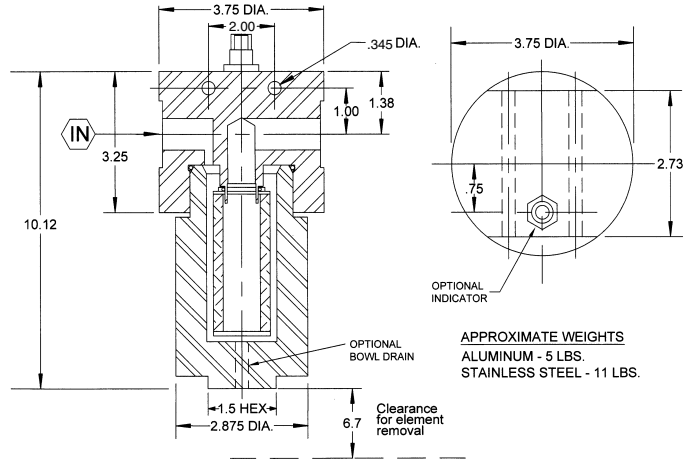


4642 West 92nd Street  
Oak Lawn, IL 60453  
Phone (708) 636-6240  
Toll Free 866-3BFILTERS (323-4583)  
Fax (708) 636-6251  
sales@3bfilters.com

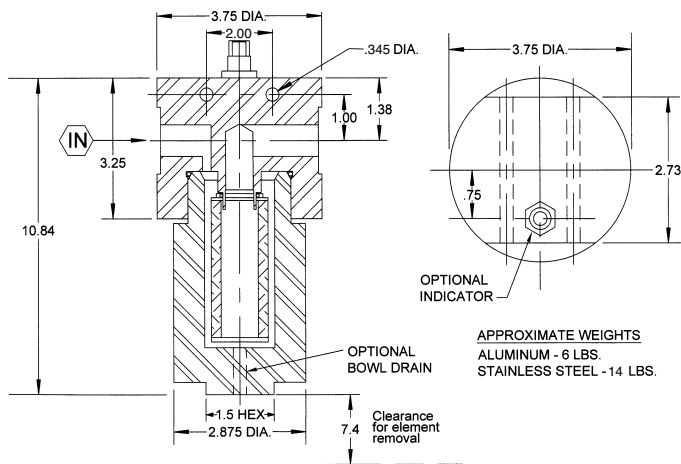
### 10 - GPM Size / 233 Element



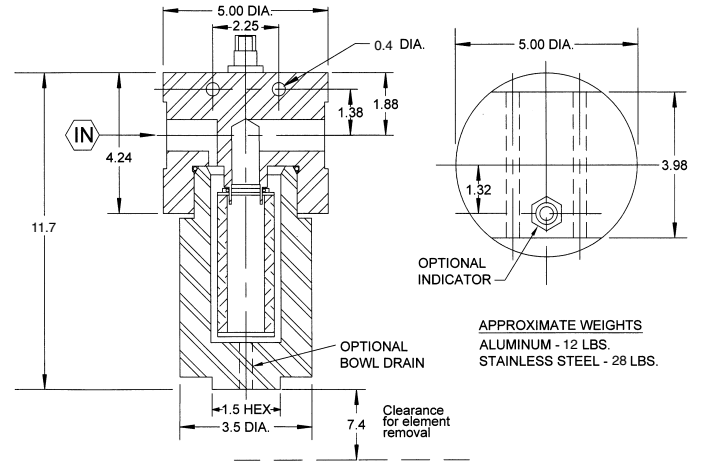
### 16 - GPM Size / 234 Element



### 24 - GPM Size / 284 Element



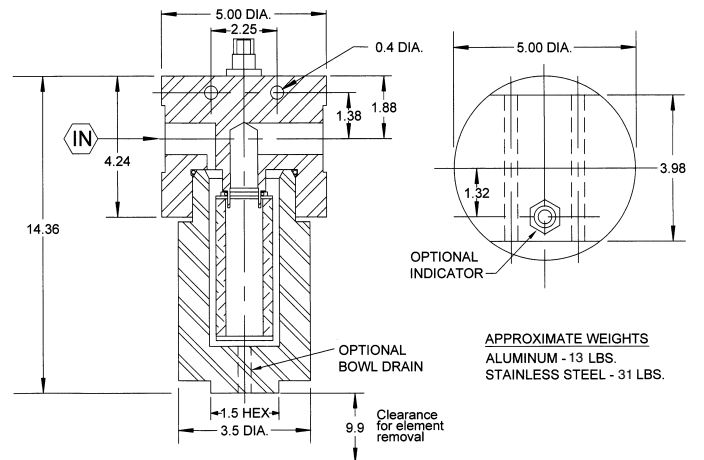
### 35 - GPM Size / 285 Element



## Pressure Specification

Housing	A	S	G
Material	Aluminum	303 SS	316 SS
Operating (psi)	5,000	6,000	6,000
Proof (psi)	7,500	9,000	9,000
Burst (psi)	20,000	24,000	24,000

### 50 - GPM Size / 286 Element



# HOW TO ORDER

## EXAMPLE ASSEMBLY

A 8550-N10WE - ACCESSORIES									
T	T	T	T	T	T	T	T	T	T
A	B	C	D	E	F	G	H	I	

## EXAMPLE REPLACEMENT ELEMENT

2	3	3	-	2	5	M	D	V
T	T	T	T	T	T	T	T	T
C	E	F	D					

(ELEMENT SIZE ON CHART)

### A

HOUSING MATERIAL	
A	Aluminum
S	303 Stainless
G	316 S.S.

### B

HOUSING PRESSURE	
85	Aluminum 5000 PSI
85	303, 316 Stainless 6000 PSI

### C

PORT SIZE						
FLOW	GPM	10	16	24	35	50
	SCFM	300	600	1200	2500	4000
PORT SIZE	IDENTIFICATION NUMBER					
ELEMENT SIZE	233	234	284	285	286	
¼" NPT	25	27	29			
⅜" NPT	38	40	42			
½" NPT	50	52	54			
¾" NPT	75	77	79			
1" NPT	86	88	90	92	94	
1 ¼ NPT				96	98	
1 ½ NPT				97	99	
¼" S.A.E.	05					
⅜" S.A.E.	10	12	14	16	18	
½" S.A.E.-8	15	17	19	51	53	
¾" S.A.E.-12	35	37	39	55	57	
1" S.A.E.-16	41	43	45	47	49	
1 ¼" S.A.E.-20				65	67	
1 ½" S.A.E.-24				85	87	

### D

O-RING SPECIFICATIONS		
CODE	MATERIAL	TEMPERATURES
N**	Nitrile(Buna)	-40° to 250°F
V**	Viton®	-20° to 400°F
E	Ethylene Propylene	-60° to 300°F
K	Kalrez®	-40° to 550°F
S	Teflon Encapsulated Viton Core	-4° to 400°F

\*\*for 90- durometer add 9 to code (example: V9)  
©DuPont

### E

MICRON RATING					
#	NOM.	ABS	W	C	M
3C	3	10		x	
10C	10	25		x	
1M	-	1			x
3M	-	3			x
6M	-	6			x
12M	-	12			x
25M	-	25			x
10W	2	10	x		
18W	5	18	x		
25W	10	25	x		
75W	40	75	x		
150W	100	150	x		
1PM	.05	.20			
2PM	.20	.70			
3PM	.30	2			
4PM	.80	5			

NOTE:  
C = Cellulose  
M = Microglass  
W = S.S. wire mesh  
PM = Sintered Metal

### F

COLLAPSE RATING	
CODE	DESCRIPTION
A	Cellulose 150-PSI
B	Cellulose 300-PSI
C	Microglass 300-PSI
D	Microglass 3,250-PSI
E	304 Wire Mesh 4,500-PSI
F	316 Sintered 2,000-PSI

### G

ACCESSORIES	
V	Visual Indicator ***
E	Electrical Indicator ***
D1	1/8 NPT △ P Port
D2	1/4 NPT △ P Port
D4	1/4 SAE △ P Port
DC	DIN - Connector (Includes E)

### H

**B\* - Bypass\*\***  
\* Insert Pressure Setting Default is 50 PSID

\*\* Bypass is not available with △ P Port

### I

BOWL DRAIN	
B1	1/8 NPT
B2	1/4 NPT
B4	1/4 SAE

\*\*\* Consult Factory for pressure limitations.



4642 West 92nd Street  
Oak Lawn, IL 60453  
Phone (708) 636-6240  
Toll Free 866-3BFILTERS (323-4583)  
Fax (708) 636-6251  
sales@3bfilters.com

# FLOW DATA (PRESSURE DROP vs. FLOW)

