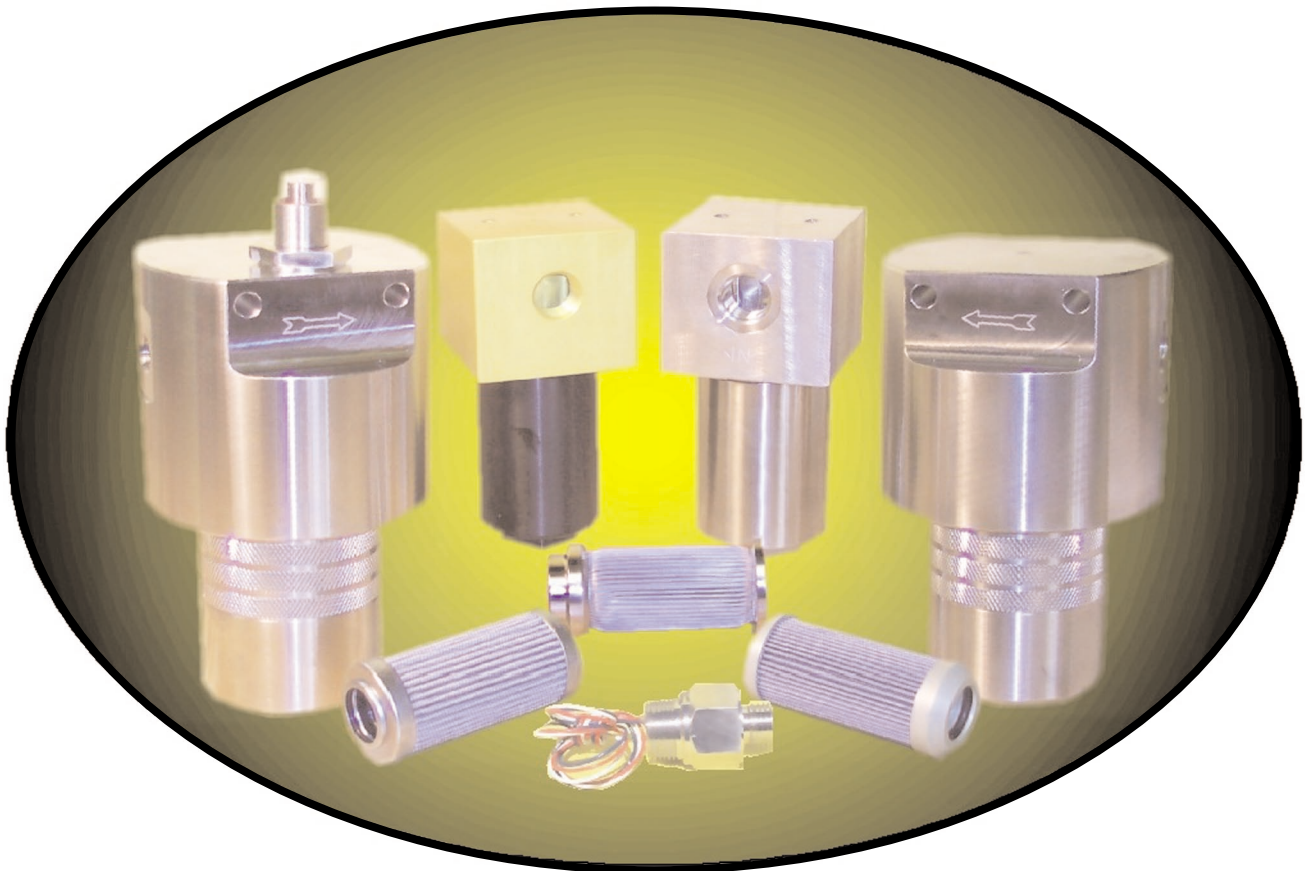




MANUFACTURER
FOR
THE FILTER INDUSTRY
SINCE 1978

8700 SERIES

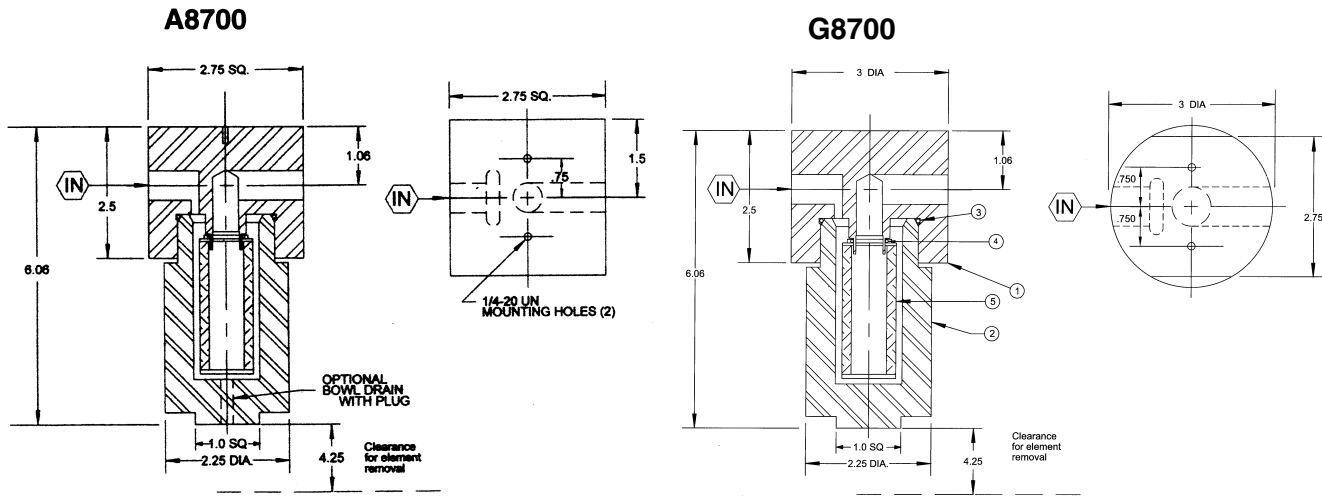
Up To 30,000 PSI Operating



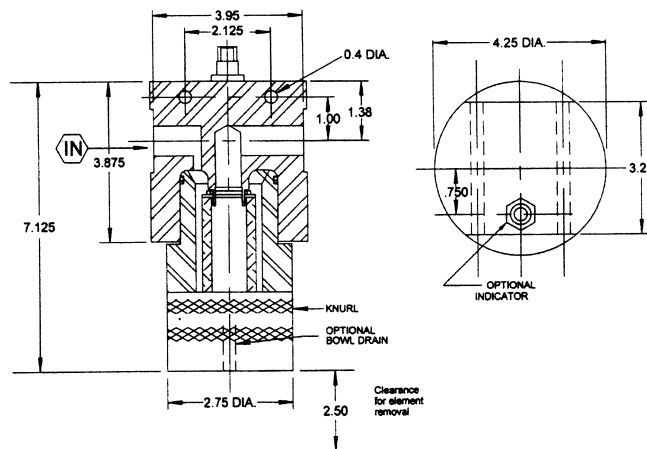
Also, ask for the 3B Interchange Guide with over 100,000 interchange elements available.



4642 West 92nd Street
Oak Lawn, IL 60453
Phone (708) 636-6240
Toll Free 866-3BFILTERS (323-4583)
Fax (708) 636-6251
sales@3bfilters.com



P 8700 Series



Specification

Housing	A	G	P
Material	Aluminum	303/316 SS	17-4PH
Operating (PSI)	2,000	6,000	20,000*
Proof (PSI)	3,000	9,000	30,000
Burst (PSI)	8,000	24,000	100,000**
Weight (LBS.)	2	6	16

* 10,000-PSI max with NPT ports
30,000-PSI max with HP ports

** Indicators and Bypass Have
Been Tested to 60,000 PSI
Without Leaking



4642 West 92nd Street
Oak Lawn, IL 60453
Phone (708) 636-6240
Toll Free 866-3BFILTERS (323-4583)
Fax (708) 636-6251
sales@3bfilters.com

HOW TO ORDER

EXAMPLE FILTER ASSEMBLY

G	87	9	8F	-	3M	D	S	-	V	B	BMP
A		B	C		D	E	F		G	H	I

EXAMPLE ELEMENT ASSEMBLY

232	-	1PM	F	S
B		D	E	F

A

HOUSING MATERIAL	
A	Aluminum 2,000 PSI
G	316 SS 6,000-PSI
P	17-4 PH 20,000-PSI*

B

Element Size	
9	232

C

PORTING		
CODE	DESC.	AVAILABILITY
2F	1/8-NPT	A,G,G1 & P*
4F	1/4-NPT	A,G,G1 & P*
6F	3/8-NPT	A,G,G1 & P*
8F	1/2-NPT	A,G,G1 & P*
4S	1/4-SAE	A,G, &G1
8S	1/2-SAE	A,G,&G1
1	1/4-MP	G1 & P
2	3/8-MP	G1 & P
3	9/16-MP	G1 & P

D

MICRON RATING						
CODE	NOM.	ABS	C	M	PM	W
1PM	0.2	0.5			x	
1M	N/A	1		x		
2PM	0.5	1			x	
3M	N/A	3		x		
3PM	1	3			x	
4PM	3	5			x	
6M	N/A	6		x		
10W	2	10				x
3C	3	10	x			
12M	N/A	12		x		
18W	5	18				x
10C	10	25	x			
25M	N/A	25		x		
25W	10	25				x
75W	40	75				x
100W	75	100				x
200W	100	200				x

C = Cellulose
M = Microglass
PM = 316 Sintered Metal
W = 304 Woven Wire Mesh

* 10,000-PSI max with NPT ports
30,000-PSI max with HP ports

E

COLLAPSE RATING	
CODE	DESCRIPTION
A	Cellulose 150-PSI
C	Microglass 300-PSI
D	Microglass 3,250-PSI
E	304 Wire Mesh 4,5000-PSI
F	316 Sintered 2,000-PSI

F

O-RING SPECIFICATIONS		
CODE	MATERIAL	TEMPERATURES
N**	Nitrile(Buna)	-40° to 250°F
V**	Viton®	-20° to 400°F
E	Ethylene Propylene	-60° to 300°F
K	Kalrez®	-40° to 550°F
S	Teflon Encapsulated Viton Core	-4° to 400°F

**for 90- durometer add 9 to code (example: V9)
©DuPont

**Consult Factory
for Availability on
all Accessories
and Bypasses**

**Consult Factory
on use of Teflon
Over 6,000 - PSI**

G

ACCESSORIES		
CODE	DESCRIPTION	AVAILABILITY
V	Visual Indicator	A,G, & P
E	Electrical Indicator	A,G, & P
D1	1/8-NPT Δ P Port	A,G
D2	1/4-NPT Δ P Port	A,G
D4	1/4-SAE Δ P Port	A,G
DMP	1/4-MP Δ P Port	P

H

BYPASS	
B*	Bypass
	* Insert Pressure Setting Default is 50 PSID

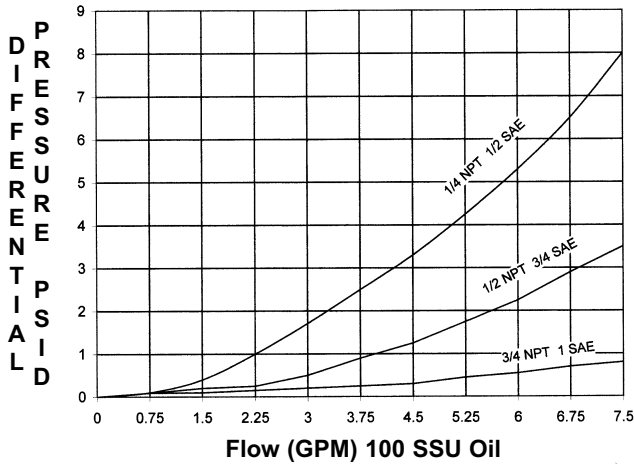
I

BOWL DRAIN		
CODE	DESCRIPTION	AVAILABILITY
B1	1/8-NPT	A & G
B2	1/4-NPT	A & G
B4	1/4-SAE	A & G
BMP	1/4-MP	P

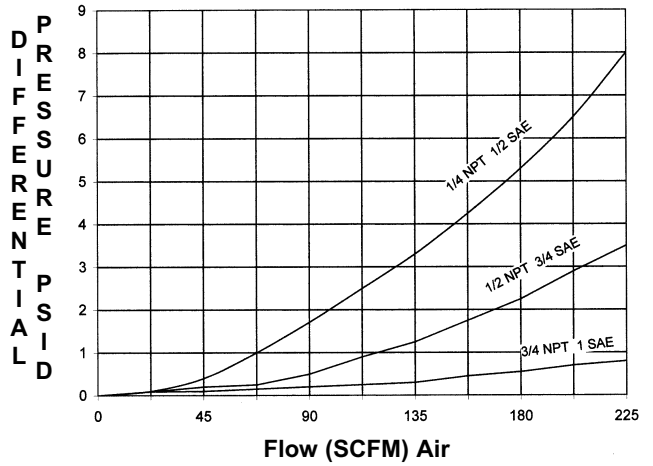


4642 West 92nd Street
Oak Lawn, IL 60453
Phone (708) 636-6240
Toll Free 866-3BFILTERS (323-4583)
Fax (708) 636-6251
sales@3bfilters.com

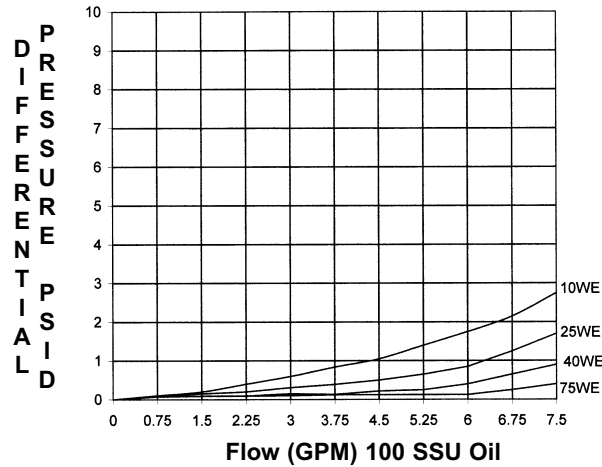
8700 Filter Housing Less Element



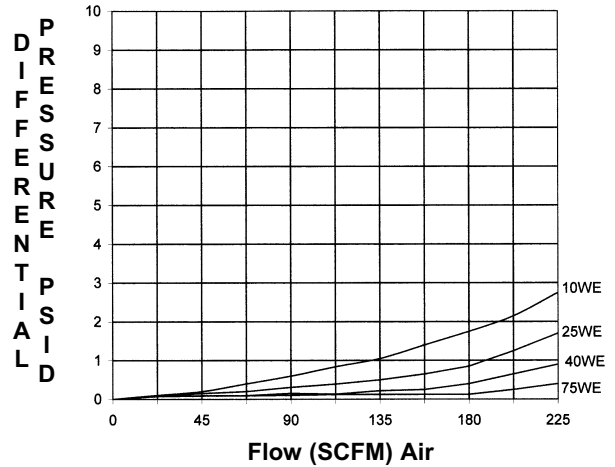
8700 Filter Housing Less Element



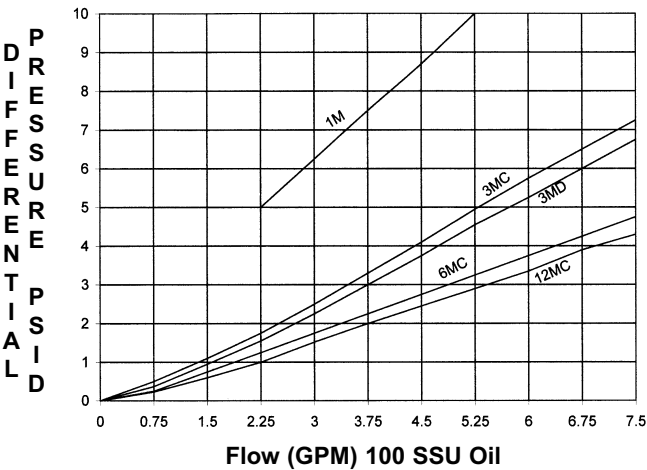
232 Stainless Element



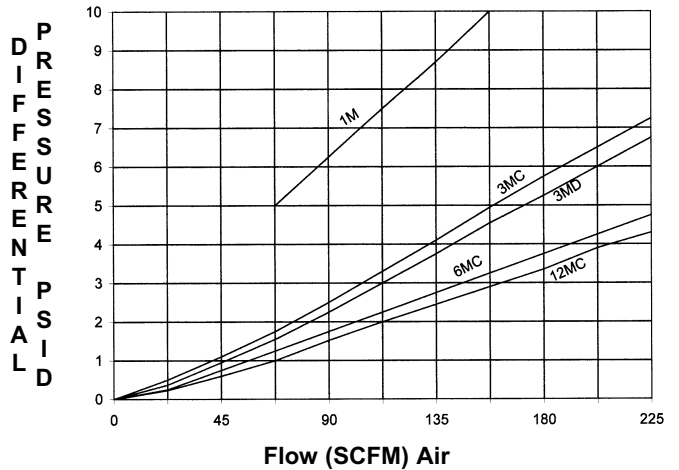
232 Stainless Element



232 Micro-Glass Element



232 Micro-Glass Element



4642 West 92nd Street
 Oak Lawn, IL 60453
 Phone (708) 636-6240
 Toll Free 866-3BFILTERS (323-4583)
 Fax (708) 636-6251
 sales@3bfilters.com