

# 3B FILTERS INC.



## 8500 Series T-Type Filter

### Markets

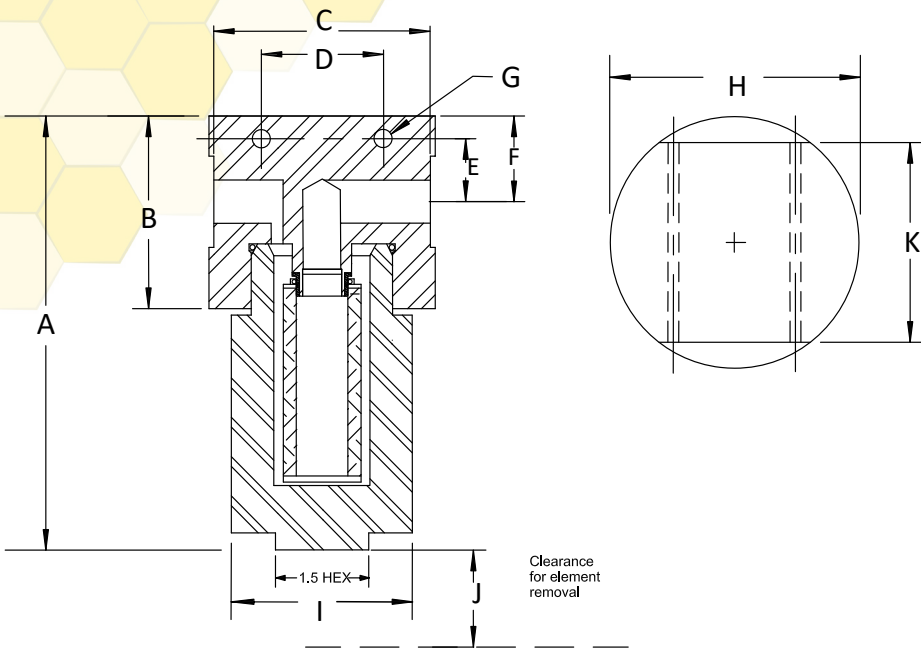
- Industrial
- Oil and Gas
- Aerospace
- Government

### Applications

- Process and flow
- Mobile hydraulics
- Remote Operated Vehicles
- Natural Gas compression
- Cryogenics and Refrigeration



# 8500 SERIES

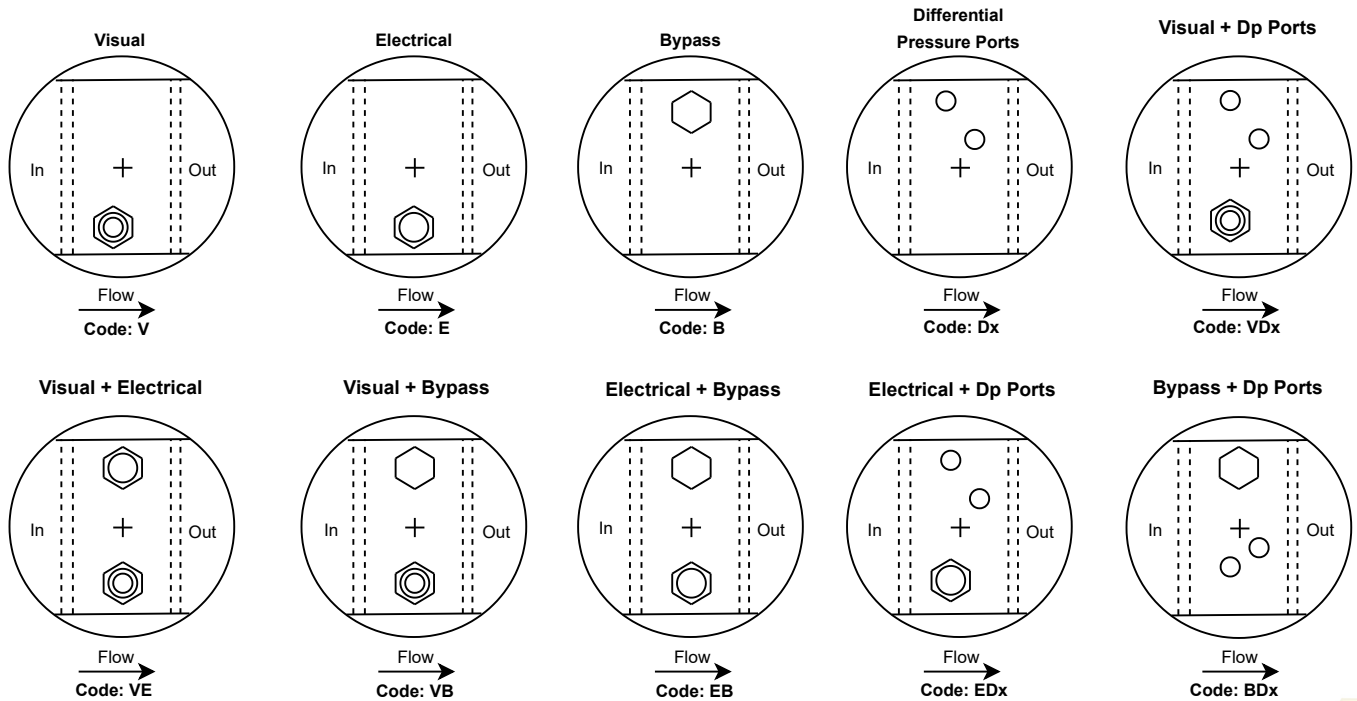


## Dimensions

Size	233	234	284	285	286
GPM	10	16	24	35	50
SCFM	300	600	1200	2500	4000
A	8.00	10.12	10.84	11.7	14.36
B	3.25	3.25	3.25	4.24	4.24
C	3.75 Ø	3.75 Ø	3.75 Ø	5.00 Ø	5.00 Ø
D	2.00	2.00	2.00	2.25	2.25
E	1.00	1.00	1.00	1.38	1.38
F	1.38	1.38	1.38	1.88	1.88
G	.345 Ø	.345 Ø	.345 Ø	.400 Ø	.400 Ø
H	3.75 Ø	3.75 Ø	3.75 Ø	5.00 Ø	5.00 Ø
I	2.875	2.875	2.875	3.500	3.500
J	4.8	6.7	7.4	7.4	9.9
K	2.73	2.73	2.73	3.98	3.98

Refer to the table at right for dimensions for each size filter.

## Head Accessory Options



## Specifications

	A	S	G
<b>Housing Material</b>	Aluminum	303 SS	316 SS
<b>Operating</b>	5,000 PSI	6,000 PSI	6,000 PSI
<b>Proof</b>	7,500 PSI	9,000 PSI	9,000 PSI
<b>Burst</b>	20,000 PSI	24,000 PSI	24,000 PSI

# COALESCING FILTER

## Assembly Code

**A 85 50 C N - PCMA - B2**

### Housing

Code	Description
A	Aluminum (5000 PSI)
S	303 Stainless (6000 PSI)
G	316 Stainless (6000 PSI)

### Port Size & Type

Port Size	233	284	286
1/4" NPT	25	29	
3/8" NPT	38	42	
1/2" NPT	50	54	
3/4" NPT	75	79	
1" NPT	86	90	94
1 1/4" NPT			98
1 1/2" NPT			99
1/4" SAE	05		
3/8" SAE	10	14	18
1/2" SAE	15	19	53
3/4" SAE	35	39	57
1" SAE	41	43	49
1 1/4" SAE			67
1 1/2" SAE			87

**Element Size**  
**233** - 300 SCFM  
**284** - 1200 SCFM  
**286** - 4000 SCFM

### O-Ring Type

Code	Description	Temperature
N	Nitrile (Buna)	-40 to 250°F
N9	Nitrile 90 Durometer	-40 to 250°F
V	Viton	-20 to 400°F
V9	Viton 90 Durometer	-20 to 400°F
E	EPR	-60 to 300°F
K	Kalrez	-40 to 550°F
S	Teflon coated Viton	-10 to 300°F
T	Teflon	-320 to 450°F

Note: For Kalrez types, add number to code (example: K-7075)

### Bowl Drain

Code	Description
B1	1/8" NPT Drain Port
B2	1/4" NPT Drain Port
B4	1/4" SAE Drain Port
BS6	3/8" SAE Drain Port

Note: B1 port is only available as a stainless steel bowl option, Aluminum available with Minimum Order Quantities.

### Media Grade

Code	Grade	Efficiency <sup>1</sup>	Oil Carry Over PPM w/w <sup>2</sup>	Media Dry <sup>3</sup>	Media Wet <sup>3</sup>
.3MA	4	99.995%	.003	1.25 PSID	3-4 PSID
PCMA	10	99%	.85	.5 PSID	.5 PSID

1: Efficiency .3-.6µm particles  
 2: Tested per BCAS 860900 at 40 ppm Inlet  
 3: Add dry + wet media for total pressure drop

### Element Selection

Code	Micron	Media Grade	Flow
233C-.3MA	.3	4	300 SCFM
284C-.3MA	.3	4	1200 SCFM
284C-PCMA	.3	10	1200 SCFM
286C-.3MA	.3	4	4000 SCFM
286C-PCMA	.3	10	4000 SCFM

Use the above table to ensure proper part number selection when choosing flow and media grade.

## Replacement Element

**284C - PCMA V**

Element Size  
 Media Grade  
 O-ring Type

Note: Refer to the respective tables to configure the correct element part number.

