

The logo for 3B Filters Inc. features the number '3' in black and the letter 'B' in yellow, both in a large, bold, sans-serif font. Below this, the word 'FILTERS' is written in black, and 'INC.' is written in a smaller, black, sans-serif font to the right. The background is a yellow honeycomb pattern with faint white hexagonal outlines.

3B
FILTERS INC.



8100 Series T-Type Filter

**Rated for applications up to 10,000 PSI and
Flows up to 2.5 GPM**

8100 SERIES

Follow table to configure the part number for the assembly or replacement element you wish to order.

Assembly Code

G 81 4F 1 3M D S

Housing	
Code	Description
G	316 SS (6000 PSI)
P	17-4 (10,000 PSI)

Port Size	
Code	Description
4F	1/4" NPT
6F	3/8" NPT

Flow	
Code	Description
1	1.5 GPM
2	2.5 GPM

Micron Rating			
	Code	Nom.	Abs.
Cellulose	3C	3	10
	10C	10	25
Micro Glass	1M	N/A	1
	3M	N/A	3
	6M	N/A	6
	12M	N/A	12
316 Sintered	25M	N/A	25
	1PM	.2	.5
	2PM	.5	1
	3PM	1	2
Wire Mesh	4PM	3	5
	10W	2	10
	18W	5	18
	25W	10	25
	75W	40	75
	100W	75	100
	200W	100	200

O-Ring Type		
Code	Description	Temperature
N	Nitrile (Buna)	-40 to 250°F
N9	Nitrile 90 Durometer	-40 to 250°F
V	Viton	-20 to 400°F
V9	Viton 90 Durometer	-20 to 400°F
E	EPR	-60 to 300°F
K	Kalrez	-40 to 550°F
S	Teflon ENCAP Viton	-10 to 300°F
T	Teflon	-320 to 450°F

Note: For Kalrez types, add number to code (example: K-7075)

Collapse Rating	
Code	Description
A	Cellulose - 150 PSI
B	Cellulose - 300 PSI
C	Microglass - 300 PSI
D	Microglass - 3250 PSI
E	304 SS Wire Mesh - 4500 PSI
F	316 Sintered - 2000 PSI
G	316 SS Wire Mesh - 4500 PSI

Additional Details

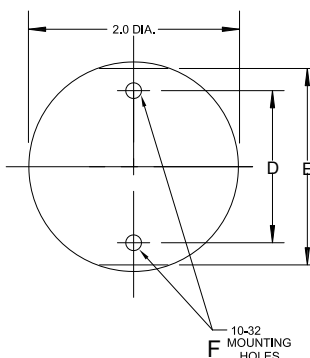
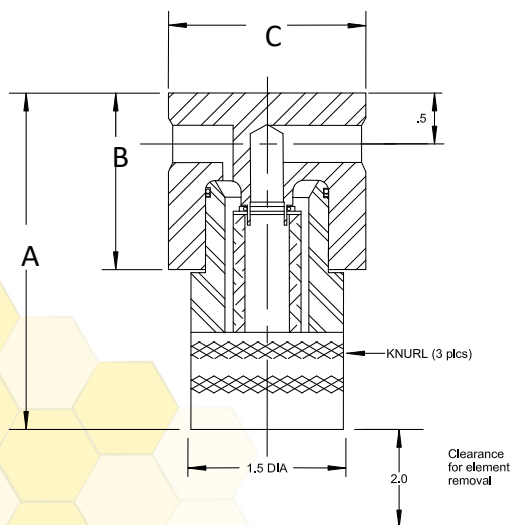
	G	P
Housing	316 SS	17-4
Material	316 SS	17-4
Operating	6,000 PSI	10,000 PSI
Proof	7,500 PSI	15,000 PSI
Burst	24,000 PSI	40,000 PSI
Weight	2.5 Lbs.	2.5 Lbs.
Ports	1/4" NPT	1/4" NPT
Flow	1.5 GPM	1.5 GPM

Replacement Element

81E 1 3M D V

Flow → 1
 Micron Rating → 3M
 Collapse Rating → D
 O-ring Type → V

Note: Refer to the respective tables to configure the correct element part number.



Dimensions

Size	G8100	P8100
A	3.75	3.75
B	1.94	1.94
C	2.0 Ø	2.0 Ø
D	1.25	1.25
E	1.8	1.8
F	10-32	10-32

