

8100 SERIES

Follow table to table to configure the part number for the assembly or replacement element you wish to order.

Assembly Code

G 81 4F 1 3M D S

Housing

Code	Description
G	316 SS (6000 PSI)
P	17-4 (10,000 PSI)

Port Size

Code	Description
4F	1/4" NPT
6F	3/8" NPT

Flow

Code	Description
1	1.5 GPM
2	2.5 GPM

Micron Rating

	Code	Nom.	Abs.
Cellulose	3C	3	10
	10C	10	25
Micro Glass	1M	N/A	1
	3M	N/A	3
	6M	N/A	6
	12M	N/A	12
316 Sintered	25M	N/A	25
	1PM	.05	.2
	2PM	.2	.7
	3PM	.3	2
Wire Mesh	4PM	.8	5
	10W	2	10
	18W	5	18
	25W	10	25
	75W	40	75
	100W	75	100
	200W	100	200

O-Ring Type

Code	Description	Temperature
N	Nitrile (Buna)	-40 to 250°F
N9	Nitrile 90 Durometer	-40 to 250°F
V	Viton	-20 to 400°F
V9	Viton 90 Durometer	-20 to 400°F
E	EPR	-60 to 300°F
K	Kalrez	-40 to 550°F
S	Teflon ENCAP Viton	-10 to 300°F
T	Teflon	-320 to 450°F

Note: For Kalrez types, add number to code (example: K-7075)

Collapse Rating

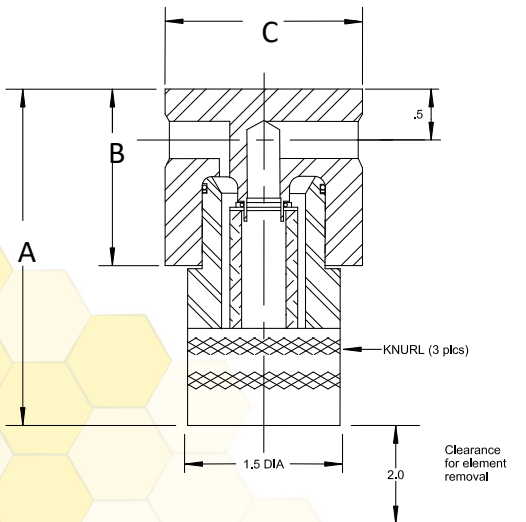
Code	Description
A	Cellulose - 150 PSI
B	Cellulose - 300 PSI
C	Microglass - 300 PSI
D	Microglass - 3250 PSI
E	304 SS Wire Mesh - 4500 PSI
F	316 Sintered - 2000 PSI
G	316 SS Wire Mesh - 4500 PSI

Dimensions

Size	G8100	P8100
A	3.75	4.2
B	1.94	2.275
C	2.0 Ø	3.0 Ø
D	1.25	1.5
E	1.8	2.75
F	1/4-20	10-32

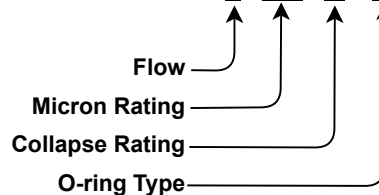
Additional Details

	G	P
Housing	G	P
Material	316 SS	17-4
Operating	6,000 PSI	10,000 PSI
Proof	7,500 PSI	15,000 PSI
Burst	24,000 PSI	40,000 PSI
Weight	2.5 Lbs.	2.5 Lbs.
Ports	1/4" NPT	1/4" NPT
Flow	1.5 GPM	1.5 GPM



Replacement Element

81E 1 3M D V



Note: Refer to the respective tables to configure the correct element part number.

