

The logo for 3B Filters Inc. features the letters '3B' in a large, bold, black font with a yellow outline. Below '3B', the word 'FILTERS' is written in a bold, black, sans-serif font with a yellow outline, and 'INC.' is written in a smaller, black, sans-serif font to the right. The background is a yellow honeycomb pattern with several large, semi-transparent hexagonal shapes in shades of yellow and orange.

3B
FILTERS INC.



8200 Series In Line Filter

8200 SERIES

Follow table to configure the part number for the assembly or replacement element you wish to order.

Assembly Code

Inlet: **S82 4 T** Outlet: **4 T** **N 10**

Housing

Code	Description
S	304 SS
G	316 SS

Fitting Size

Code	Pipe	Tube
1	1/8"	-
2	1/4"	1/8"
3	3/8"	3/16"
4	1/2"	1/4"
6	-	3/8"
8	-	1/2"
12	-	3/4"

Fitting Type

Code	Description
B	Female o-ring (AS5202)
D	Male o-ring
M	Male NPT
P	Female NPT
C	Compression fitting
T	37° Flare/J Fitting (AS4395)

Note: Compression fittings are rated for 3000 psi and below applications.

Optional O-Ring

Code	Description
N	Nitrile (Buna)
V	Viton

Note: O-ring is used for male o-ring end fittings. Omit if o-ring is not required.

Wire Mesh

Code	Nom.	Abs.
2X	2	10
02	2	15
05	5	18
10	10	25
20	20	40
40	40	75
75	75	100
100	100	150
200	200	300

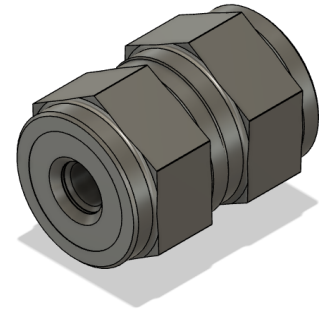
Sintered

Code	Nom.	Abs.
1PM	.05	.2
2PM	.2	.7
3PM	.3	2
4PM	.8	5

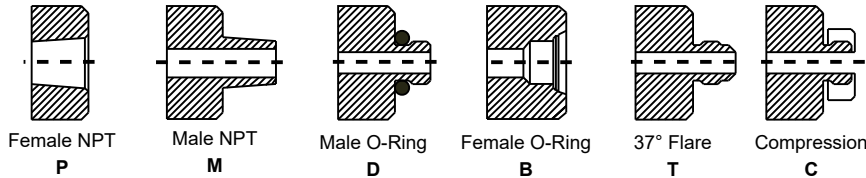
When ordering ensure to order the correct connection type in the direction of your system's flow.

Specifications

- Ports: 1/8" to 1/2" various port option
- Flow: Up to 5 GP
- Up to 6,000 PSI Rate



End Fittings



Note: The Female o-ring (B) is machined to standard AS5202 (MS33649). 37° Flare/ J-fitting (T) is machined to AS4395 (MS33656)

Configurations

