

3B
FILTERS INC.



8700 Series T-Type Filter

8700 SERIES

Follow table to table to configure the part number for the assembly or replacement element you wish to order.

Assembly Code

G 87 9 8F 3M D V VE B BMP

Housing

Code	Description
A	Aluminum (2,000 PSI)
G	316 Stainless (6,000 PSI)
G1	316 Stainless (10,000 PSI)
P	17-4 Stainless (20,000 PSI)

Caution: 30,000 PSI HP Ports are limited to 17-4 Stainless filter assemblies ONLY

Port Size & Type

Code	Description	Housing
2F	1/8" NPT	A, G, G1, P*
4F	1/4" NPT	A, G, G1, P*
6F	3/8" NPT	A, G, G1, P*
8F	1/2" NPT	A, G, G1, P*
4S	1/4" SAE	A, G, & G1
8S	1/2" SAE	A, G, & G1
1	1/4" MP	G1 & P
2	3/8" MP	G1 & P
3	9/16" MP	G1 & P
1HP	1/4" HP	P
2HP	3/8" HP	P
3HP	9/16" HP	P

Caution: NPT max working pressure is 10,000 PSI. 30,000 PSI HP Ports are limited to 17-4 Stainless filter assemblies ONLY

Collapse Rating

Code	Description
C	Microglass - 300 PSI
D	Microglass - 3250 PSI
E	304 SS Wire Mesh - 4500 PSI
F	316 Sintered - 2000 PSI
G	316 SS Wire Mesh - 4500 PSI

O-Ring Type

Code	Description	Temperature
N	Buna	-40 to 250°F
N9	Buna 90 Durometer	-40 to 250°F
V	Viton	-20 to 400°F
V9	Viton 90 Durometer	-20 to 400°F
E	EPR	-60 to 300°F
K	Kalrez	-40 to 550°F
S	Teflon ENCAP Viton	-10 to 300°F
T	Teflon	-320 to 450°F

Note: For Kalrez types, add number to code (example: K-7075)

Bowl Drain

Code	Desc.	Material
B1	1/8" NPT	A, G, & G1
B2	1/4" NPT	A, G, & G1
B4	1/4" SAE	A, G, & G1
BMP	1/4" MP	G1 & P

Bypass

Code	Description
B	Bypass valve

Note: Default bypass setting is 50 PSI. For other settings please specify after the B. Eg. 100 PSI is B100.

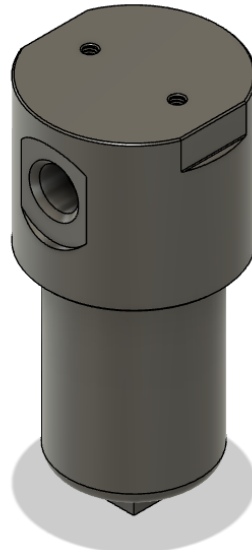
Accessories

Code	Description
V	Visual
E	Electrical
D1	1/8" NPT Dp Ports
D2	1/4" NPT Dp Ports
DMP	1/4" MP Dp Ports

Note: Bypass, visual, and electrical indicators have been tested to 60,000 PSI without leakage. Caution: NPT max working pressure is 10,000 PSI.

Micron Rating

	Code	Nom.	Abs.
Cellulose	3C	3	10
	10C	10	25
Micro Glass	1M	N/A	1
	3M	N/A	3
	6M	N/A	6
	12M	N/A	12
316 Sintered	25M	N/A	25
	1PM	.05	.2
	2PM	.2	.7
	3PM	.3	2
	4PM	.8	5
	10W	2	10
	18W	5	18
Wire Mesh	25W	10	25
	75W	40	75
	100W	75	100
	200W	100	200



Replacement Element

232 25M D V

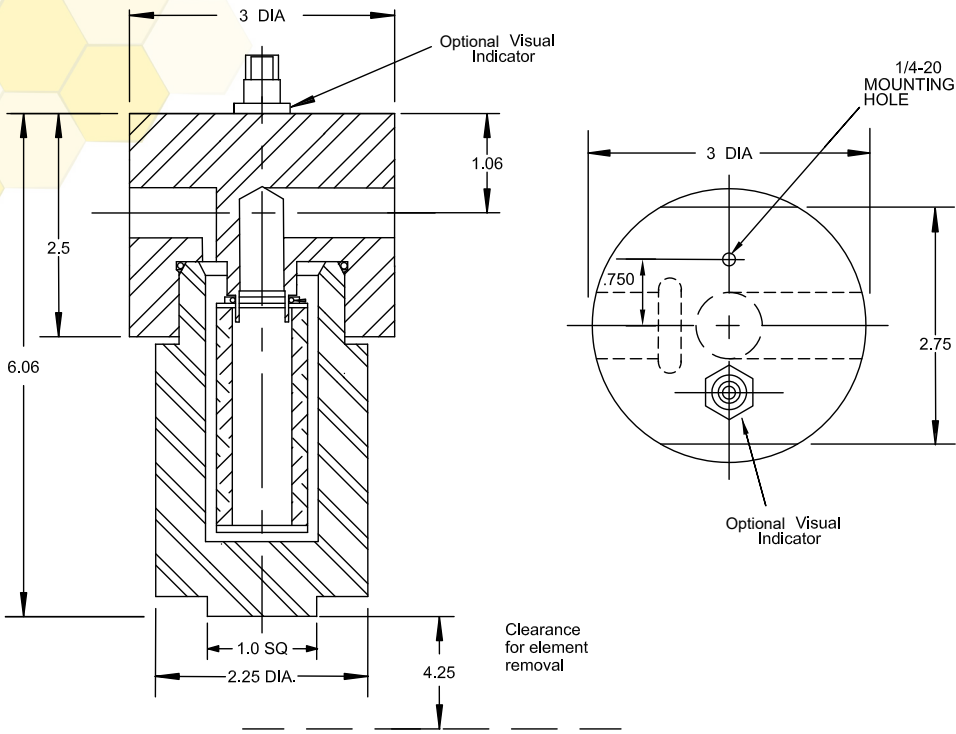
Micron Rating
Collapse Rating
O-ring Type

Note: Refer to the respective tables to configure the correct element part number.

Specifications

- Ports: Various sizes in NPT, SAE, MP, HP
- Flow: Up to 7.5 GPM
- Up to 30,000 PSI Configurations

8700SERIES



Specifications

Code	A87	G87
Material	Aluminum	316 SS
Operating	2,000 PSI	6,000 PSI
Proof	3,000 PSI	9,000 PSI
Burst	8,000 PSI	24,000 PSI
Weight	2 Lbs.	6 Lbs.

Specifications

Code	G1	P
Material	316 SS	17-4PH
Operating	10,000 PSI	20,000 PSI
Proof	10,000 PSI	30,000 PSI
Burst	40,000 PSI	100,000 PSI
Weight	17 Lbs.	17 Lbs.

Note: Bypass, visual, and electrical indicators have been tested to 60,000 PSI without leakage.
 Caution: NPT max working pressure is 10,000 PSI. HP Port max working pressure is 30,000 PSI.

