

The logo for 3B Filters Inc. features the letters '3B' in a large, bold, black font with a yellow outline. Below '3B', the word 'FILTERS' is written in a bold, black, sans-serif font with a yellow outline, and 'INC.' is written in a smaller, black, sans-serif font to the right. The background is a yellow honeycomb pattern with several large, semi-transparent hexagonal shapes in shades of yellow and orange.

3B
FILTERS INC.



8800 Series In Line Filter

8800 SERIES

Follow table to table to configure the part number for the assembly or replacement element you wish to order.

Assembly Code

Housing Material

Code	Description
G	316 Stainless
S	303 Stainless

Fitting Size

Code	Pipe	Tube
1	1/8"	-
2	1/4"	1/8"
3	3/8"	3/16"
4	1/2"	1/4"
6	-	3/8"
8	-	1/2"

Fitting Type

Code	Description
B	Female o-ring (AS5202)
D	Male o-ring
M	Male NPT
P	Female NPT
C	Compression fitting
T	37° Flare/J Fitting (AS4395)

Internal O-Ring

Code	Description
N	Nitrile (Buna)
V	Viton
T	Teflon
E	EPR

Optional O-Ring

Code	Description
N	Nitrile (Buna)
N	Buna
V	Viton

Note: O-ring is used for male o-ring end fittings. Omit if o-ring is not required.

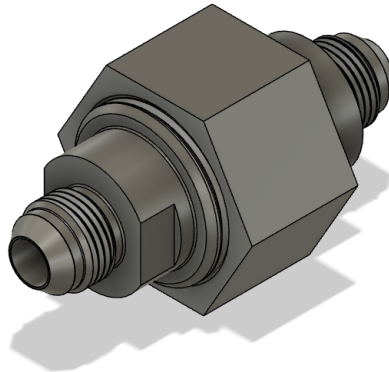
Micron Rating

Wire Mesh

Code	Nom.	Abs.
10	2	10
15	2	15
18	5	20
25	10	25
40	20	40
75	40	75
100	75	100
150	100	150
300	200	300

Sintered

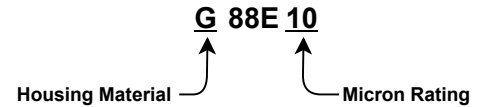
Code	Nom.	Abs.
1PM	.05	.2
2PM	.2	.7
3PM	.3	2
4PM	.8	5



Specifications

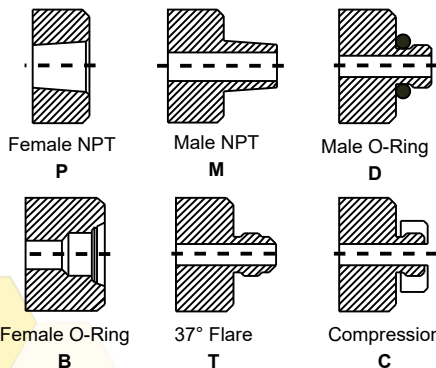
- Ports: 1/8" to 1/2" various port option
- Flow: Up to 5 GP
- 6,000 PSI Rate

Replacement Element



Note: Refer to the respective tables to configure the correct element part number.

End Fittings



Note: The Female o-ring (B) is machined to standard AS5202 (MS33649). 37° Flare/ J-fitting (T) is machined to AS4395 (MS33656)

