



3B **FILTERS** INC.

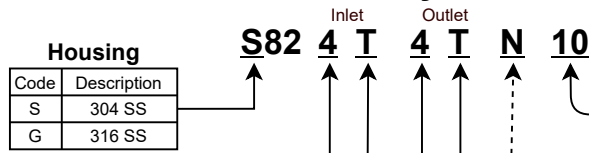
8200 Series In Line Filter

**Rated for applications up to 6,000 PSI and
Flows up to 5 GPM**

8200 SERIES

Follow table to configure the part number for the assembly you wish to order.

Assembly Code



Fitting Size - Unit Size

Code	Pipe	Tube
1	1/8" - 1" Hex	-
2	1/4" - 1" Hex	1/8" - 1" Hex
3	3/8" - 1-3/4" Hex	3/16" - 1" Hex
4	1/2" - 1-3/4" Hex	1/4" - 1" Hex
6	-	3/8" - 1" Hex
8	-	1/2" - 1-3/4" Hex
12	3/4" - 1-3/4" Hex	3/4" - 1-3/4" Hex

Note: Hex sizes over 1" are rated at 3,000 psi. Special applications that combine a 1" and 1-3/4" unit size are rated for 3,000 psi.

Fitting Type

Code	Description
B	Female o-ring (AS5202)
D	Male o-ring
M	Male NPT
P	Female NPT
C	Compression fitting
T	37° Flare/J Fitting (AS4395)

Note: Compression fittings are rated for 3000 psi.

When ordering ensure to order the correct connection type in the direction of your system's flow.

Optional O-Ring

Code	Description
N	Nitrile (Buna)
V	Viton

Note: O-ring is used for male o-ring end fittings.. Omit if o-ring is not required.

Wire Mesh

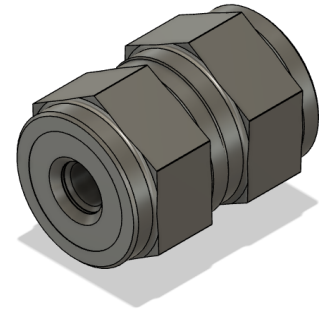
Code	Nom.	Abs.
2X	2	10
05	5	18
10	10	25
20	20	40
40	40	75
75	75	100
100	100	150
200	200	300

Sintered

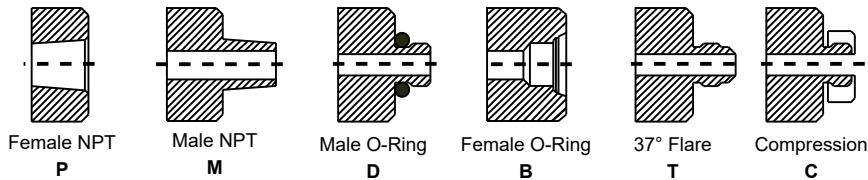
Code	Nom.	Abs.
1PM	.05	.2
2PM	.2	.7
3PM	.3	2
4PM	.8	5

Specifications

- Ports: 1/8" to 1/2" various port option
- Flow: Up to 5 GPM
- Up to 6,000 PSI Rate



End Fittings



Note: The Female o-ring (B) is machined to standard AS5202 (MS33649). 37° Flare/ J-fitting (T) is machined to AS4395 (MS33656)

Configurations

