

88 Series In Line Filters

Rated for applications up to 6,000 PSI and flows up to 5 GPM

Follow table to table to configure the part number for the assembly or replacement element you wish to order.

Assembly Code

Housing Material

Code	Description
G	316 Stainless
S	303 Stainless

Fitting Size

Code	Pipe	Tube
1	1/8"	-
2	1/4"	1/8"
3	3/8"	3/16"
4	1/2"	1/4"
6	-	3/8"
8	-	1/2"

Fitting Type

Code	Description
B	Female o-ring (AS5202)
D	Male o-ring
M	Male NPT
P	Female NPT
C	Compression fitting
T	37° Flare/J Fitting (AS4395)

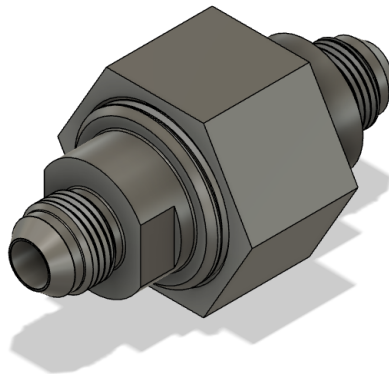
Micron Rating

Wire Mesh

Code	Nom.	Abs.
10W	2	10
18W	5	18
25W	10	25
40W	20	40
75W	40	75
100W	75	100
150W	100	150
300W	200	300

Sintered

Code	Nom.	Abs.
1PM	.05	.2
2PM	.2	.7
3PM	.3	2
4PM	.8	5



Optional External O-Ring

Code	Description
N	Nitrile (Buna)
V	Viton

Note: O-ring is used for male o-ring end fittings. Omit if o-ring is not required.

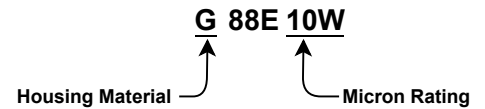
Internal O-Ring

Code	Description
N	Nitrile (Buna)
V	Viton
T	Teflon
E	EPR

Specifications

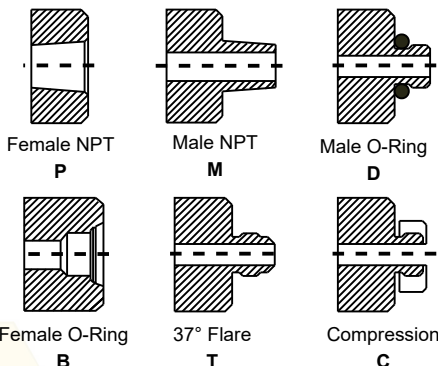
- Ports: 1/8" to 1/2" various port option
- Flow: Up to 5 GPM
- 6,000 PSI Rate

Replacement Element



Note: Refer to the respective tables to configure the correct element part number.

End Fittings



Note: The Female o-ring (B) is machined to standard AS5202 (MS33649). 37° Flare/ J-fitting (T) is machined to AS4395 (MS33656)

