

8100 Series T-Type Filter

Rated for applications up to 10,000 PSI and flows up to 2.5 GPM

Follow table to configure the part number for the assembly or replacement element you wish to order.

Assembly Code

G 81 4F - 3M D S - B1

Housing

Code	Description
G	316 SS (6000 PSI)
P	17-4 (10,000 PSI)

Flow

Code	Description
1	1.5 GPM
12	2.5 GPM

Port Size

Code	Description
4F	1/4" NPT

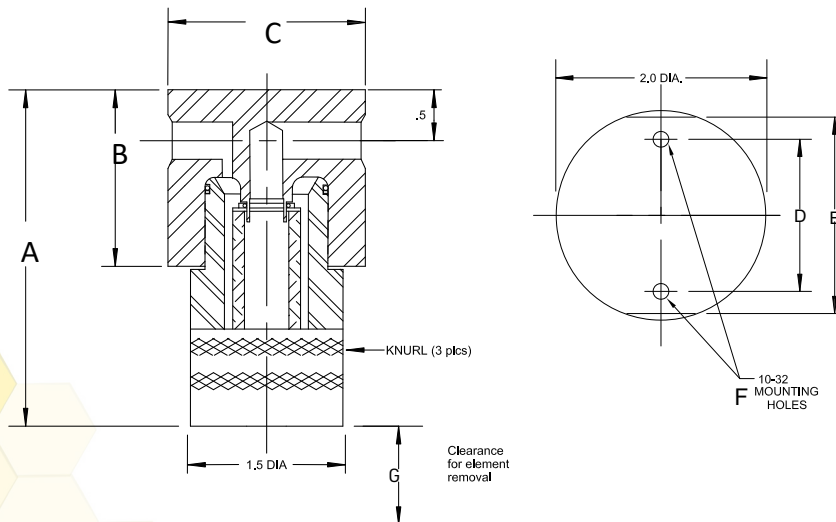
Micron Rating

	Code	Nom.	Abs.
Cellulose	3C	3	NA
	10C	10	NA
Micro Glass	1M	N/A	1
	3M	N/A	3
	6M	N/A	6
	12M	N/A	12
	25M	N/A	25
316 Sintered	1PM	.2	.5
	2PM	.5	1
	3PM	1	2
	4PM	3	5
Wire Mesh	10W	2	10
	18W	5	18
	25W	10	25
	75W	40	75
	100W	75	100
	200W	100	200

*2.5 GPM offered as stock in 12MD. All others require a MOQ.

Dimensions

Size	G81/P81	G812
A	3.75	5.5
B	1.94	1.94
C	2.0 Ø	2.0 Ø
D	1.25	1.25
E	1.8	1.8
F	10-32	10-32
G	2.0	4.0



Bowl Drain *Optional*

Code	Description
B1	1/8" NPT

O-Ring Type

Code	Description	Temperature
N	Nitrile (Buna)	-40 to 250°F
N9	Nitrile 90 Durometer	-40 to 250°F
V	Viton	-20 to 400°F
V9	Viton 90 Durometer	-20 to 400°F
E	EPR	-60 to 300°F
K	Kalrez	-40 to 550°F
S	Teflon ENCAP Viton	-10 to 300°F
T	Teflon	-320 to 450°F

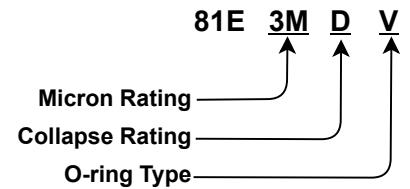
Note: For Kalrez types, add number to code (example: K-7075)

Collapse Rating

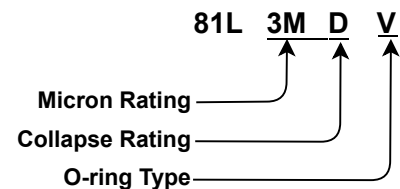
Code	Description
A	Cellulose - 150 PSI
B	Cellulose - 300 PSI
C	Microglass - 300 PSI
D	Microglass - 3250 PSI
E	304 SS Wire Mesh - 4500 PSI
F	316 Sintered - 2000 PSI
G	316 SS Wire Mesh - 4500 PSI



1.5 GPM Replacement Element



2.5 GPM Replacement Element



Note: Refer to the respective tables to configure the correct element part number.

Specifications

	G	P
Housing	316 SS	17-4
Material	316 SS	17-4
Operating	6,000 PSI	10,000 PSI
Proof	7,500 PSI	15,000 PSI
Burst	24,000 PSI	40,000 PSI

