

8500 Series T-Type Filters Rated for applications up to 6,000 PSI and flows up to 50 GPM

Follow table to table to configure the part number for the assembly or replacement element you wish to order.

Assembly Code

A 85 50 - N10W E - VE B50 B2

Code	Description
A	Aluminum (5000 PSI)
S	303 Stainless (6000 PSI)
G	316 Stainless (6000 PSI)

Note: Monel, Inconel, and Super Duplex available upon request.

Code	Description
B1	1/8" NPT Drain Port
B2	1/4" NPT Drain Port
B4	1/4" SAE Drain Port
BS6	3/8" SAE Drain Port

Note: B1 port is only available as a stainless steel bowl option, Aluminum available with Minimum Order Quantities.

Bypass

Code	Description
B	Bypass valve

Note: Default bypass setting is 50 PSI. For other settings please specify after the B. Eg. 100 PSI is B100.

Head Options

See next page for options and codes.

Note: Up to 2 accessories can be selected per head configuration. Apply this code to the end of your part number.

V-Visual
E-Electrical
B-Bypass
Dx-Differential pressure ports, "X" indicates sizes 1, 2, or 4. See accessories chart for sizes.

Accessories

Code	Description
V	Visual
E	Electrical
D1	1/8" NPT Dp Ports
D2	1/4" NPT Dp Ports
D4	1/4" SAE Dp Ports
DC	DIN Connector

Note: Code DC includes electrical indicator.

Collapse Rating

Code	Description
A	Cellulose - 150 PSI
B	Cellulose - 300 PSI
C	Microglass - 300 PSI
D	Microglass - 3250 PSI
E	304 SS Wire Mesh - 4500 PSI
F	316 Sintered - 2000 PSI
G	316 SS Wire Mesh - 4500 PSI

Port Size & Type

Port Size	Element Size				
	233	234	284	285	286
1/4" NPT	25	27	29		
3/8" NPT	38	40	42		
1/2" NPT	50	52	54		
3/4" NPT	75	77	79		
1" NPT	86	88	90	92	94
1 1/4" NPT				96	98
1 1/2" NPT				97	99
1/4" SAE	05				
3/8" SAE	10	12	14	16	18
1/2" SAE	15	17	19	51	53
3/4" SAE	35	37	39	55	57
1" SAE	41	43	45	47	49
1 1/4" SAE				65	67
1 1/2" SAE				85	87

Note: Choose a flow below, choose port size/type then match the correct 2 digit code to the table to the left. Reverse Flow option available.

Element Size

233 - 10 GPM (300 SCFM)
234 - 16 GPM (600 SCFM)
284 - 24 GPM (1200 SCFM)
285 - 35 GPM (2500 SCFM)
286 - 50 GPM (4000 SCFM)

Micron Rating

	Code	Nom.	Abs.
Cellulose	3C	3	NA
	10C	10	NA
	1M	N/A	1
Micro Glass	3M	N/A	3
	6M	N/A	6
	12M	N/A	12
	25M	N/A	25
316 Sintered	1PM	.05	.2
	2PM	.2	.7
	3PM	.3	2
	4PM	.8	5
Wire Mesh	10W	2	10
	18W	5	18
	25W	10	25
	75W	40	75
	100W	75	100
	150W	100	150

O-Ring Type

Code	Description	Temperature
N	Nitrile (Buna)	-40 to 250°F
N9	Nitrile 90 Durometer	-40 to 250°F
V	Viton	-20 to 400°F
V9	Viton 90 Durometer	-20 to 400°F
E	EPR	-60 to 300°F
K	Kalrez	-40 to 550°F
S	Teflon coated Viton	-10 to 300°F
T	Teflon	-320 to 450°F

Note: For Kalrez types, add number to code (example: K-7075)

Specifications

- Ports: 1/4" to 1 1/2" NPT or SAE
- Flow: Up to 50 GPM/4000 SCFM
- Up to 6000 PSI 4:1 Safety Factor

Replacement Element

233 - 25M D V

Element Size
Micron Rating
Collapse Rating
O-ring Type

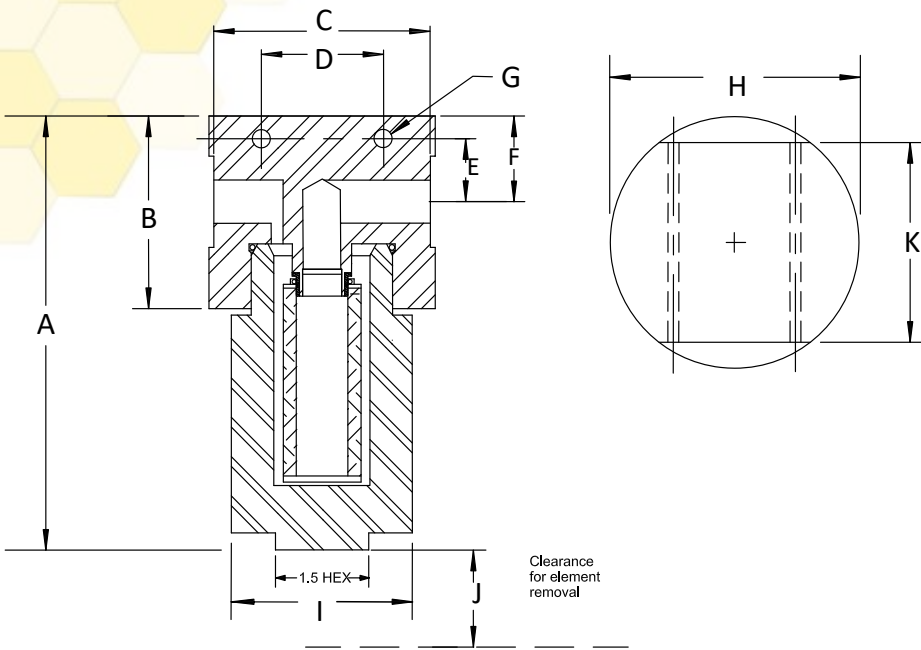
Note: Refer to the respective tables to configure the correct element part number.



Ask us about our worry free Maintenance Kits!



8500 Series T-Type Filters Rated for applications up to 6,000 PSI and flows up to 50 GPM

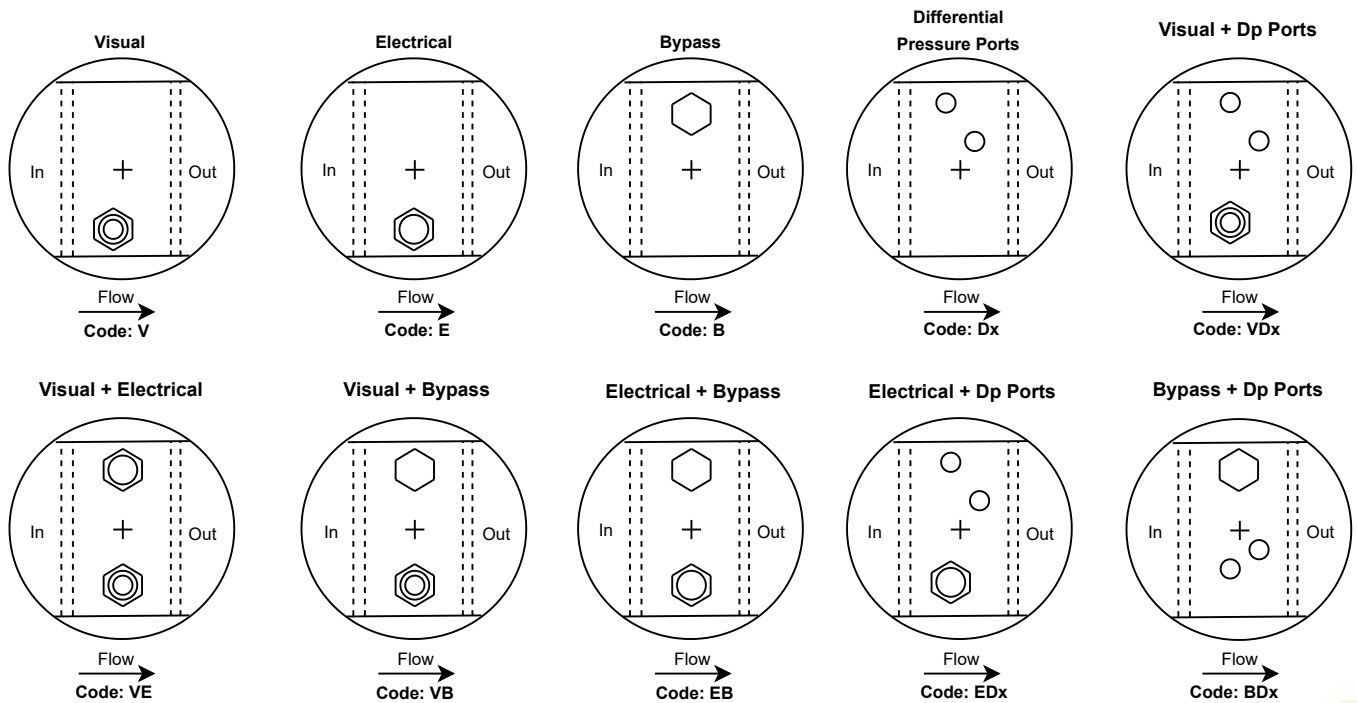


Dimensions

Size	233	234	284	285	286
GPM	10	16	24	35	50
SCFM	300	600	1200	2500	4000
A	8.00	10.12	10.84	11.7	14.36
B	3.25	3.25	3.25	4.24	4.24
C	3.75 Ø	3.75 Ø	3.75 Ø	5.00 Ø	5.00 Ø
D	2.00	2.00	2.00	2.25	2.25
E	1.00	1.00	1.00	1.38	1.38
F	1.38	1.38	1.38	1.88	1.88
G	.345 Ø	.345 Ø	.345 Ø	.400 Ø	.400 Ø
H	3.75 Ø	3.75 Ø	3.75 Ø	5.00 Ø	5.00 Ø
I	2.875	2.875	2.875	3.500	3.500
J	4.8	6.7	7.4	7.4	9.9
K	2.73	2.73	2.73	3.98	3.98

Refer to the table at right for dimensions for each size filter.

Head Accessory Options



Specifications

	A	S	G
Housing Material	Aluminum	303 SS	316 SS
Operating Pressure	5,000 PSI	6,000 PSI	6,000 PSI
Proof Pressure	7,500 PSI	9,000 PSI	9,000 PSI
Burst Pressure	20,000 PSI	24,000 PSI	24,000 PSI



8500 Series Coalescing Filter

Assembly Code

A 85 50 C N - PCMA - B2

Housing

Code	Description
A	Aluminum (5000 PSI)
S	303 Stainless (6000 PSI)
G	316 Stainless (6000 PSI)

Port Size & Type

Port Size	233	284	286
1/4" NPT	25	29	
3/8" NPT	38	42	
1/2" NPT	50	54	
3/4" NPT	75	79	
1" NPT	86	90	94
1 1/4" NPT			98
1 1/2" NPT			99
1/4" SAE	05		
3/8" SAE	10	14	18
1/2" SAE	15	19	53
3/4" SAE	35	39	57
1" SAE	41	43	49
1 1/4" SAE			67
1 1/2" SAE			87

Element Size
233 - 300 SCFM
284 - 1200 SCFM
286 - 4000 SCFM

O-Ring Type

Code	Description	Temperature
N	Nitrile (Buna)	-40 to 250°F
N9	Nitrile 90 Durometer	-40 to 250°F
V	Viton	-20 to 400°F
V9	Viton 90 Durometer	-20 to 400°F
E	EPR	-60 to 300°F
K	Kalrez	-40 to 550°F
S	Teflon coated Viton	-10 to 300°F
T	Teflon	-320 to 450°F

Note: For Kalrez types, add number to code (example: K-7075)

Bowl Drain

Code	Description
B1	1/8" NPT Drain Port
B2	1/4" NPT Drain Port
B4	1/4" SAE Drain Port
BS6	3/8" SAE Drain Port

Note: B1 port is only available as a stainless steel bowl option, Aluminum available with Minimum Order Quantities.

Media Grade

Code	Grade	Efficiency ¹	Oil Carry Over PPM w/w ²	Media Dry ³	Media Wet ³
.3MA	4	99.995%	.003	1.25 PSID	3-4 PSID
PCMA	10	99%	.85	.5 PSID	.5 PSID

1: Efficiency .3-.6µm particles
 2: Tested per BCAS 860900 at 40 ppm Inlet
 3: Add dry + wet media for total pressure drop

Element Selection

Code	Micron	Media Grade	Flow
233C-.3MA	.3	4	300 SCFM
284C-.3MA	.3	4	1200 SCFM
284C-PCMA	.3	10	1200 SCFM
286C-.3MA	.3	4	4000 SCFM
286C-PCMA	.3	10	4000 SCFM

Use the above table to ensure proper part number selection when choosing flow and media grade.

Replacement Element

284C - PCMA V

Element Size

Media Grade

O-ring Type

Note: Refer to the respective tables to configure the correct element part number.

