

8700 Series T-Type Filters Rated for applications up to 30,000 PSI and flows up to 7.5 GPM

Follow table to table to configure the part number for the assembly or replacement element you wish to order.

Assembly Code

G 87 9 8F 3M D V VE B BMP

Housing

Code	Description
A	Aluminum (2,000 PSI)
G	316 Stainless (6,000 PSI)
G1	316 Stainless (10,000 PSI)
P	17-4 Stainless (20,000 PSI)

Caution: 30,000 PSI HP Ports are limited to 17-4 Stainless filter assemblies ONLY

Port Size & Type

Code	Description	Housing
2F	1/8" NPT	A, G, G1, P*
4F	1/4" NPT	A, G, G1, P*
6F	3/8" NPT	A, G, G1, P*
8F	1/2" NPT	A, G, G1, P*
4S	1/4" SAE	A, G, & G1
8S	1/2" SAE	A, G, & G1
1	1/4" MP	G1 & P
2	3/8" MP	G1 & P
3	9/16" MP	G1 & P
1HP	1/4" HP	P
2HP	3/8" HP	P
3HP	9/16" HP	P

Caution: NPT max working pressure is 10,000 PSI. 30,000 PSI HP Ports are limited to 17-4 Stainless filter assemblies ONLY

Collapse Rating

Code	Description
C	Microglass - 300 PSI
D	Microglass - 3250 PSI
E	304 SS Wire Mesh - 4500 PSI
F	316 Sintered - 2000 PSI
G	316 SS Wire Mesh - 4500 PSI

O-Ring Type

Code	Description	Temperature
N	Nitrile (Buna)	-40 to 250°F
N9	Nitrile 90 Durometer	-40 to 250°F
V	Viton	-20 to 400°F
V9	Viton 90 Durometer	-20 to 400°F
E	EPR	-60 to 300°F
K	Kalrez	-40 to 550°F
S	Teflon ENCAP Viton	-10 to 300°F
T	Teflon	-320 to 450°F

Note: For Kalrez types, add number to code (example: K-7075)

Bowl Drain

Code	Desc.	Material
B1	1/8" NPT	A, G, & G1
B2	1/4" NPT	A, G, & G1
B4	1/4" SAE	A, G, & G1
BMP	1/4" MP	G1 & P

Bypass

Code	Description
B	Bypass valve

Note: Default bypass setting is 50 PSI. For other settings please specify after the B. Eg. 100 PSI is B100.

Accessories

Code	Description
V	Visual
E	Electrical
D1	1/8" NPT Dp Ports
D2	1/4" NPT Dp Ports
DMP	1/4" MP Dp Ports

Note: Bypass, visual, and electrical indicators have been tested to 60,000 PSI without leakage. Caution: NPT max working pressure is 10,000 PSI.

Micron Rating

	Code	Nom.	Abs.
Cellulose	3C	3	NA
	10C	10	NA
Micro Glass	1M	N/A	1
	3M	N/A	3
	6M	N/A	6
	12M	N/A	12
316 Sintered	25M	N/A	25
	1PM	.05	.2
	2PM	.2	.7
	3PM	.3	2
	4PM	.8	5
	10W	2	10
	18W	5	18
Wire Mesh	25W	10	25
	75W	40	75
	100W	75	100
	150W	100	150



Replacement Element

232 25M D V

Micron Rating
Collapse Rating
O-ring Type

Note: Refer to the respective tables to configure the correct element part number.

Specifications

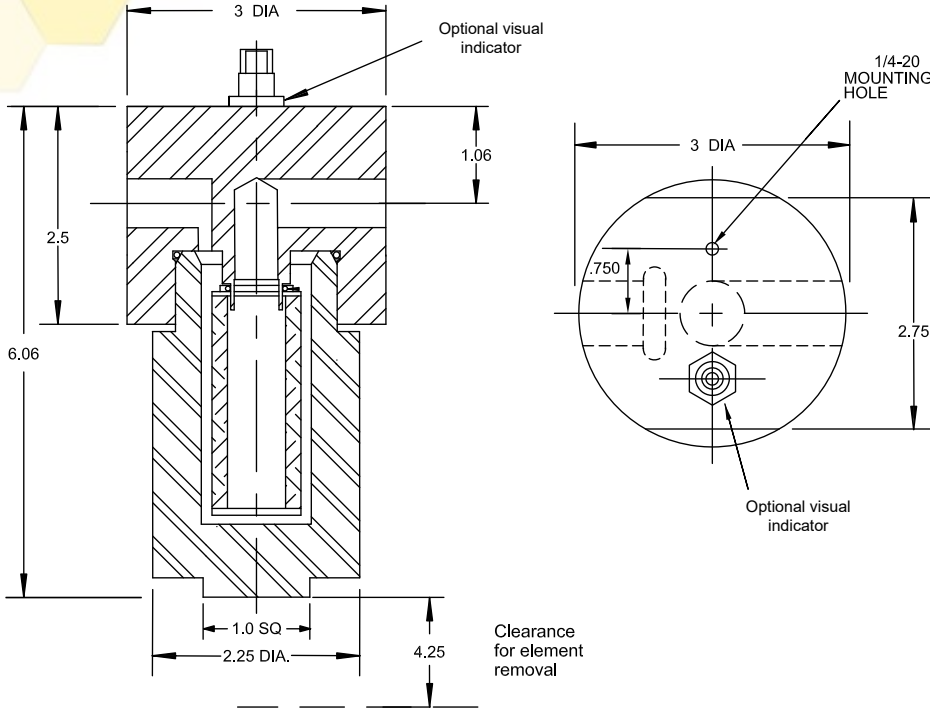
- Ports: Various sizes in NPT, SAE, MP, HP
- Flow: Up to 7.5 GPM
- Up to 30,000 PSI Configurations



8700 Series T-Type Filters

Rated for applications up to 30,000 PSI and flows up to 7.5 GPM

Follow table to table to configure the part number for the assembly or replacement element you wish to order.



Specifications

Code	A87	G87
Material	Aluminum	316 SS
Operating	2,000 PSI	6,000 PSI
Proof	3,000 PSI	9,000 PSI
Burst	8,000 PSI	24,000 PSI
Weight	2 Lbs.	6 Lbs.

Specifications

Code	G1	P
Material	316 SS	17-4PH
Operating	10,000 PSI	20,000 PSI
Proof	10,000 PSI	30,000 PSI
Burst	40,000 PSI	100,000 PSI
Weight	17 Lbs.	17 Lbs.

Note: Bypass, visual, and electrical indicators have been tested to 60,000 PSI without leakage.

Caution: NPT max working pressure is 10,000 PSI. HP Port max working pressure is 30,000 PSI.

