

8600Series T-Type Filters

Rated for applications up to 40,000 PSI and flows up to 24 GPM

Follow table to table to configure the part number for the assembly or replacement element you wish to order.

Assembly Code

S 86 1 2 N- 10W E- V B25 B2

Housing

Code	Description
S	303 Stainless (10,000 PSI)
G	316 Stainless (10,000 PSI)
P	17-4 Stainless (20,000 PSI)

Element Size (Flow)

Code	Description
1	10 GPM (233 Size)
2	16 GPM (234 Size)
3	24 GPM (284 Size)

Port Size & Type

Code	Description
1	1/4" MP
2	3/8" MP
3	9/16" MP
4	3/4" MP
5	1/4" NPT*
6	1/2" NPT*
6	1/2" NPT*
7	3/4" NPT*
8	1" NPT*

Caution: NPT max working pressure is 10,000 PSI.

O-Ring Type

Code	Description	Temperature
N	Nitrile (Buna)	-40 to 250°F
N9	Nitrile 90 Durometer	-40 to 250°F
V	Viton	-20 to 400°F
V9	Viton 90 Durometer	-20 to 400°F
E	EPR	-60 to 300°F
K	Kalrez	-40 to 550°F
S	Teflon coated Viton	-10 to 300°F
T	Teflon	-320 to 450°F

Note: For Kalrez types, add number to code (example: K-7075)

Bowl Drain

Code	Description	Material
B1	1/8" NPT	S & G
B2	1/4" NPT	S & G
B4	1/4" SAE	S & G
BMP	1/4" MP	P

Bypass

Code	Description
B	Bypass valve

Note: Default bypass setting is 50 PSI. For other settings please specify after the B. Eg. 100 PSI is B100.

Accessories

Code	Description
V	Visual
E	Electrical
D1	1/8" NPT Dp Ports
D2	1/4" NPT Dp Ports
DMP	1/4" MP Dp Ports

Note: Bypass, visual, and electrical indicators have been tested to 60,000 PSI without leakage. Caution: NPT max working pressure is 10,000 PSI.

Collapse Rating

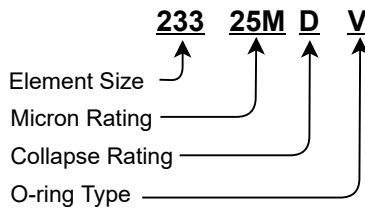
Code	Description
C	Microglass - 300 PSI
D	Microglass - 3250 PSI
E	304 SS Wire Mesh - 4500 PSI
F	316 Sintered - 2000 PSI
G	316 SS Wire Mesh - 4500 PSI

Micron Rating

Code	Nom.	Abs.	
3C	3	NA	Cellulose
10C	10	NA	
1M	N/A	1	Micro Glass
3M	N/A	3	
6M	N/A	6	
12M	N/A	12	
25M	N/A	25	316 Sintered
1PM	.05	.2	
2PM	.2	.7	
3PM	.3	2	
4PM	.8	5	Wire Mesh
10W	2	10	
18W	5	18	
25W	10	25	
75W	40	75	
100W	75	100	
200W	100	200	



Replacement Element



Note: Refer to the respective tables to configure the correct element part number.

Specifications

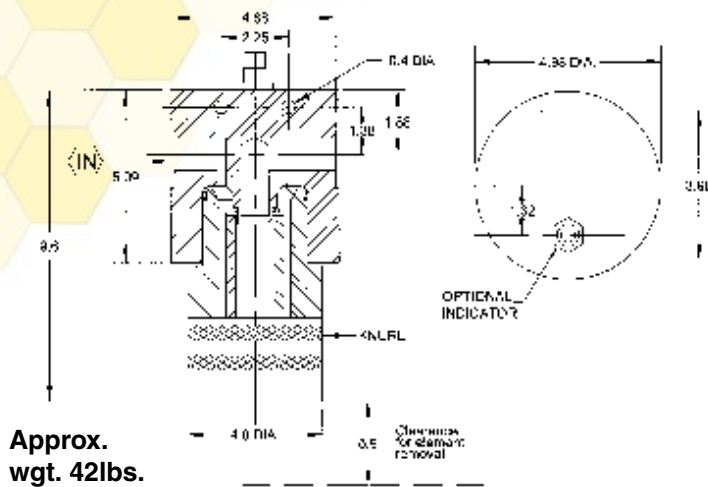
- Ports: 1/4" to 1" NPT or 1/4" to 3/4" MP
- Flow: Up to 24 GPM/1200 SCFM
- 10,000 and 20,000 PSI Configurations



8600 Series T-Type Filter

Follow table to configure the part number for the assembly or replacement element you wish to order.

10 - GPM Size / 233 Element



Specifications

10,000-PSI Filter

Operating 10,000
Proof 15,000
Burst 40,000

Housing Material
303 Stainless
316 Stainless

20,000-PSI Filter

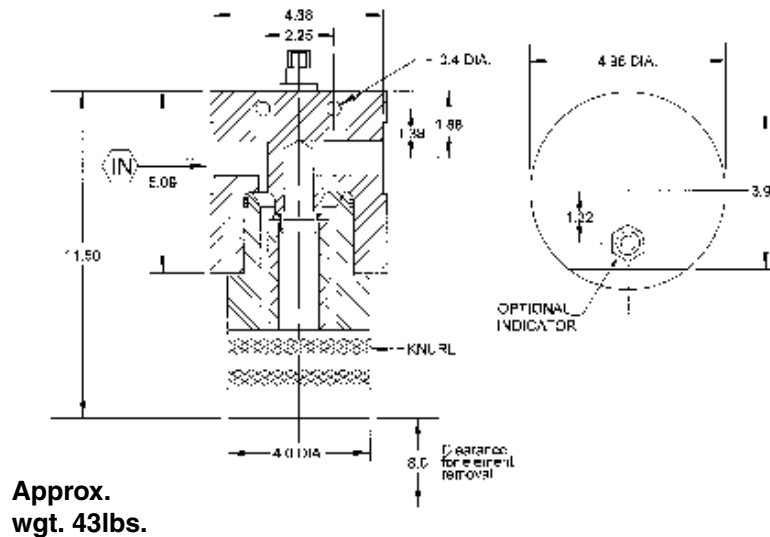
20,000 Operating
30,000 Proof
100,000 Burst**

Housing material
17-4 PH

Weight
up to 44 Lbs.

**Indicators and Bypass
Have Been Tested to
60,000 psi Without
Leakage

16 - GPM Size / 234 Element



24 - GPM Size / 284 Element

