

89 Series Spin-On Filters

FILTER ASSEMBLY PART NUMBER

89A 1 - 0 12 - 10C S N - G

PORT SIZE AND TYPE

Code	Port Size	Port Type
1	1/2"	NPT
2	3/4"	NPT
3	1"	NPT
4	1/2"	SAE
5	3/4"	SAE
6	1"	SAE

BYPASS

Code	Bypass Setting
0	No Bypass
1	3 PSI
2	5 PSI
3	15 PSI
4	25 PSI
5	50 PSI

GAGE ACCESSORY

Code (Optional)	Description
G	Gage Included

- This is an optional accessory, omit this character if not desired.

O-RING TYPE

Code	Description	Temperature (°F)
N	Nitrile (Buna)	-40 to 250
V	Viton	-20 to 400
E	EPR	-60 to 300

- Viton products will incur additional product cost

BOWL LENGTH

Code	Description
S	Short
L	Long

- Longer bowl has more dirt holding capacity

GAUGE PORTS

Code	Bypass Setting
0	No Gauge Port
1	Inlet #1
2	Inlet #2
3	Inlet #3
5	Outlet #5

- You can select more than one gauge port on a single filter. You just cannot select the same number twice or select 0 and another port.
- Examples of acceptable gauge port codes: 0, 1, 3, 12, 13, 125, 1235

MICRON RATING

Code	Material	Absolute
1M	Microglass	1
3M	Microglass	3
6M	Microglass	6
12M	Microglass	12
25M	Microglass	25
3C	Cellulose	3
10C	Cellulose	10
25C	Cellulose	25
10CW	Water Absorbing Cellulose	10
141S	Mesh SS	100

REPLACEMENT FILTER PART NUMBER

89E 3M S V

REPLACEMENT HEAD PART NUMBER

89H 1 - 0 13

O-RING TYPE
BOWL LENGTH
MICRON RATING

GAUGE PORTS
BYPASS
PORT SIZE AND TYPE

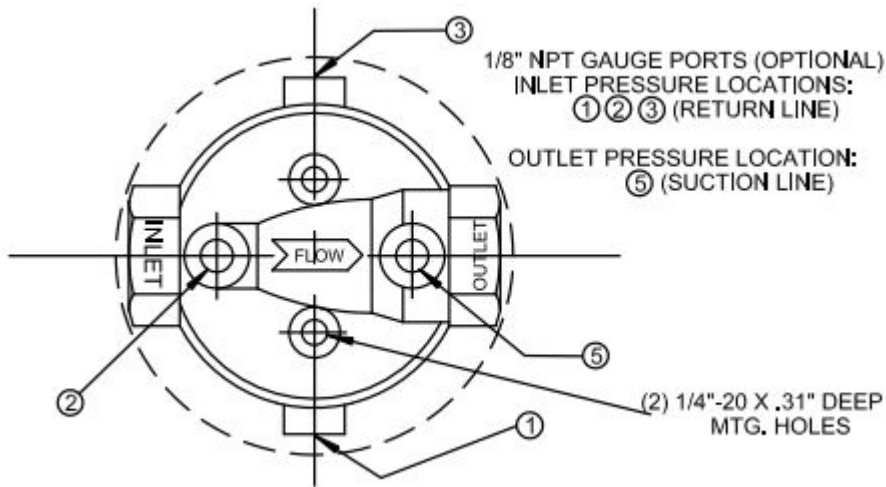
ADDITIONAL SPECIFICATIONS

- Operating pressure = 175 PSI
- Rated flow rate up to 37 GPM
- Temperature range: -65°F to +250°F
- Suited for petroleum-based fluid applications only
- Head = Cast Aluminum, Element = Drawn Steel

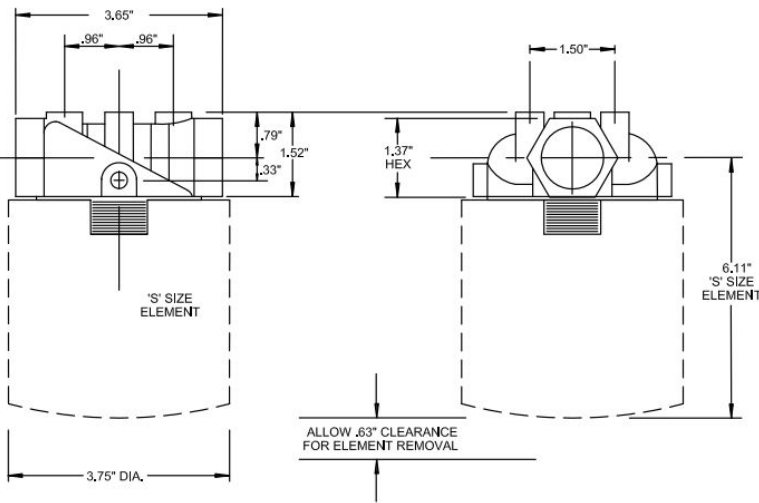
89 Series Spin-On Filters



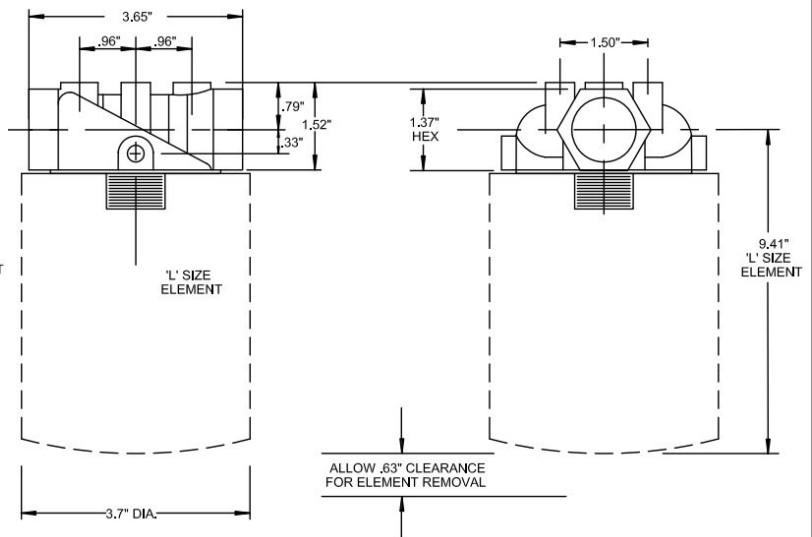
DIMENSIONS



"S" ELEMENT SIZE / BOWL LENGTH



"L" ELEMENT SIZE / BOWL LENGTH



90 Series Spin-On Filters

FILTER ASSEMBLY PART NUMBER

90 A 1 - 0 13 - 25M S N - VE G

HOUSING MATERIAL

Code	Material
A	Aluminum
AG	316 SS

PORT SIZE AND TYPE

Code	Port Size	Port Type	Housing Options
1	1"	NPT	A or AG
2	1.25"	NPT	Only A
3	1.5"	NPT	A or AG* (*AG Special Order)
4	1"	SAE	Only A
5	1.25"	SAE	Only A
6	1.5"	SAE	Only A

BYPASS

Code	Bypass Setting	Housing Options
0	No Bypass	A or AG
1	3 PSI	Only A
2	5 PSI	Only A
3	15 PSI	Only A
4	25 PSI	A or AG
5	50 PSI	Only A

ADDITIONAL SPECIFICATIONS

- Operating pressure = 100 PSI
- Rated flow rate up to 70 GPM (return) / 25GPM (suction)
- Temperature range: -65°F to +250°F
- Suited for petroleum-based fluid applications only
- Head = Cast Aluminum or 316SS
- Element = Drawn Steel

GAUGE PORTS

Code	Bypass Setting
0	No Gauge Port
1	Inlet #1
2	Inlet #2
3	Inlet #3
4	Outlet #4
5	Outlet #5
6	Outlet #6

- 13 is a standard gage port setting
- You can select more than one gauge port on a single filter. You just cannot select the same number twice or select 0 and another port.
- Examples of acceptable gauge port codes: 0, 1, 3, 12, 13, 2,6,125, 1235,123456

GAGE ACCESSORY

Code (Optional)	Description
G	Gage Included

- This is an optional accessory, omit this character if not desired.

ACCESSORY OPTIONS

Code (Optional)	Type	Allowable Accessory Combinations
V	Visual	V, E, VV, VE, EE
E	Electrical	

- This is an optional accessory, omit these characters if not desired.

O-RING TYPE

Code	Description	Temperature (°F)
N	Nitrile (Buna)	-40 to 250
V	Viton	-20 to 400
E	EPR	-60 to 300

- Viton products will incur additional product cost

BOWL LENGTH

Code	Description
S	Short
L	Long

- Longer bowl has more dirt holding capacity

MICRON RATING

Code	Material	Absolute
1M	Microglass	1
3M	Microglass	3
6M	Microglass	6
12M	Microglass	12
25M	Microglass	25
3C	Cellulose	3
10C	Cellulose	10
25C	Cellulose	25
10CW	Water Absorbing Cellulose	10
141S	Mesh SS	100

REPLACEMENT FILTER PART NUMBER

90E 3M S V

REPLACEMENT HEAD PART NUMBER

90H 1 - 0 13

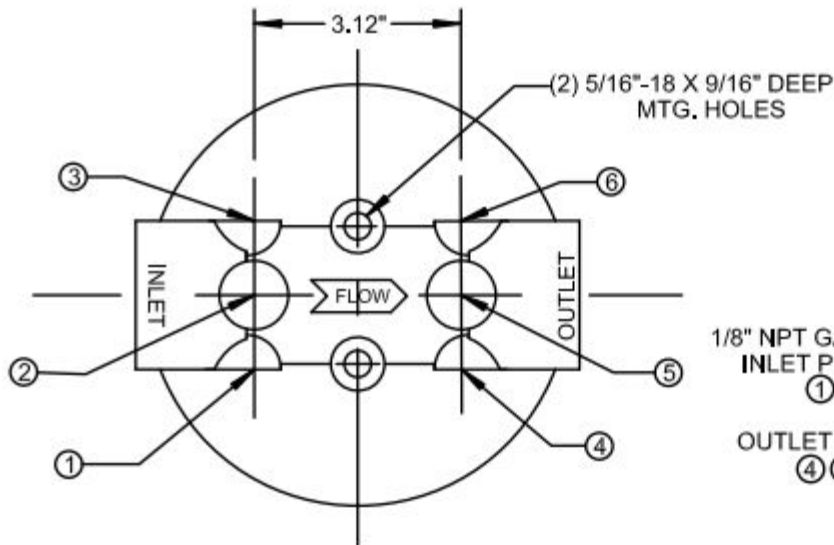
O-RING TYPE
BOWL LENGTH
MICRON RATING

GAUGE PORTS
BYPASS
PORT SIZE AND TYPE

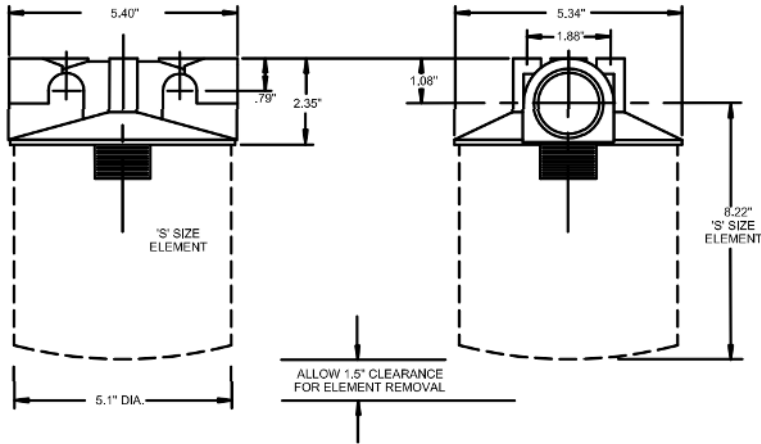
90 Series Spin-On Filters



DIMENSIONS



"S" ELEMENT SIZE / BOWL LENGTH



"L" ELEMENT SIZE / BOWL LENGTH

