

8500 Series T-Type Filters

FILTER ASSEMBLY PART NUMBER

G 85 50 - N 10W E - VD1 B2

HOUSING MATERIAL

Code	Material	Pressure (PSI) Operating/Proof/Burst
A	Aluminum	5,000/7,500/20,000
S	303 SS	6,000/9,000/24,000
G	316 SS	6,000/9,000/24,000

BOWL DRAIN PORT

Code (Optional)	Size	Type
B1 (SS Only)	1/8"	NPT
B2	1/4"	NPT
B4	1/4"	SAE
BS6	3/8"	SAE

PORT SIZE / TYPE / FLOW RATE

Element #	233	234	284	285	286
GPM/SCFM	10/300	16/600	24/1200	35/2500	50/4000
1/4" NPT	25	27	29	N/A	N/A
3/8" NPT	38	40	42	N/A	N/A
1/2" NPT	50	52	54	N/A	N/A
3/4" NPT	75	77	79	N/A	N/A
1" NPT	86	88	90	92	94
1.25" NPT	N/A	N/A	N/A	96	98
1.5" NPT	N/A	N/A	N/A	97	99
1/4" SAE	05	N/A	N/A	N/A	N/A
3/8" SAE	10	12	14	16	18
1/2" SAE	15	17	19	51	53
3/4" SAE	35	37	39	55	57
1" SAE	41	43	45	47	49
1.25" SAE	N/A	N/A	N/A	65	67
1.5" SAE	N/A	N/A	N/A	85	87

ACCESSORY OPTIONS

Code (Optional)	Type	Size / Type	Allowable Accessory Combinations	
V	Visual	N/A	V	E or DC
E	Electrical	N/A		
DC	Electrical + DIN Connector	N/A	D1 or D2 or D4	B or B# [ex: B]
B	50psi Bypass	N/A	VB or VB# [ex: VB100]	E(D1/D2/D4) or DC(D1/D2/D4) [ex: DCD2]
B#	Custom Bypass (ex: B75 @75psi) Max: 100 PSI	N/A		
D1	Dp Port	1/8" NPT	V(D1/D2/D4) [ex: VD1]	VE or VDC
D2	Dp Port	1/4" NPT		
D4	Dp Port	1/4" SAE	(D1/D2/D4)B or (D1/D2/D4)B# [ex: D1B75]	EB or DCB or EB# or DCB# [ex: DCB]

COLLAPSE RATING

Code	Material	Material Grade	Rating (PSI)
A	Cellulose	N/A	150
B	Cellulose	N/A	300
C	Microglass	N/A	300
D	Microglass	N/A	3,250
E	Wire Mesh	304 SS	4,500
F	Sintered	316SS	2,000
G	Wire Mesh	316SS	4,500
G	Wire Mesh w/ Groove	304SS	4,500
GG	Wire Mesh w/ Groove	316SS	4,500

O-RING TYPE

Code	Description	Temperature (°F)
N	Nitrile (Buna)	-40 to 250
N9	Nitrile 90 Durometer	-40 to 250
V	Viton	-20 to 400
V9	Viton 90 Durometer	-20 to 400
E	EPR	-60 to 300
K	Kalrez	-40 to 550
S	Teflon Encapsulated Viton	-10 to 300
T	Teflon	-320 to 450

- Kalrez, and Teflon products will incur additional product cost
- Add the Kalrez o-ring number to the end of the part number (ex: G8550-K-707510WE-VD1B2)
- Kalrez will incur longer lead times
- Teflon Max operating pressure = 10k psi

ADDITIONAL SPECIFICATIONS

- Monel, Inconel, and Super Duplex options available
- Omit code is optional accessories are not to be included
- A maximum of up to 2 visual, electrical, Dp and Bypass accessory ports allowed. (See ACCESSORY OPTIONS table)
- A collapse code of "G" is 316SS for Wire Mesh but it is 304SS for Wire Mesh w/ Groove. To get 316SS for Wire Mesh w/ Groove use code "GG"

MICRON RATING

	Code	Nom.	Abs.
Cellulose (Only A or B Collapse)	3C	3	N/A
	10C	10	N/A
Microglass (Only C or D Collapse)	1M	N/A	1
	3M	N/A	3
	6M	N/A	6
	12M	N/A	12
	25M	N/A	25
	1PM	.2	.5
Sintered 316SS (Only F Collapse)	2PM	.5	1
	3PM	1	2
	4PM	3	5
	Wire Mesh 304SS or 316SS (Only E or G Collapse)	10W	2
18W		5	18
25W		10	25
75W		40	75
100W		75	100
150W		100	150
10MW		N/A	2000
20MW		N/A	840
30MW		N/A	590
40MW		N/A	400
Wire Mesh w/ Groove (Only G or GG Collapse)	50MW	N/A	297
	60MW	N/A	250
	100MW	N/A	149
	150MW	N/A	89

* 2.5GPM units offered as stock in 12MD. All other micron options require a MOQ

REPLACEMENT ELEMENT PART NUMBER

233 - 25M D V

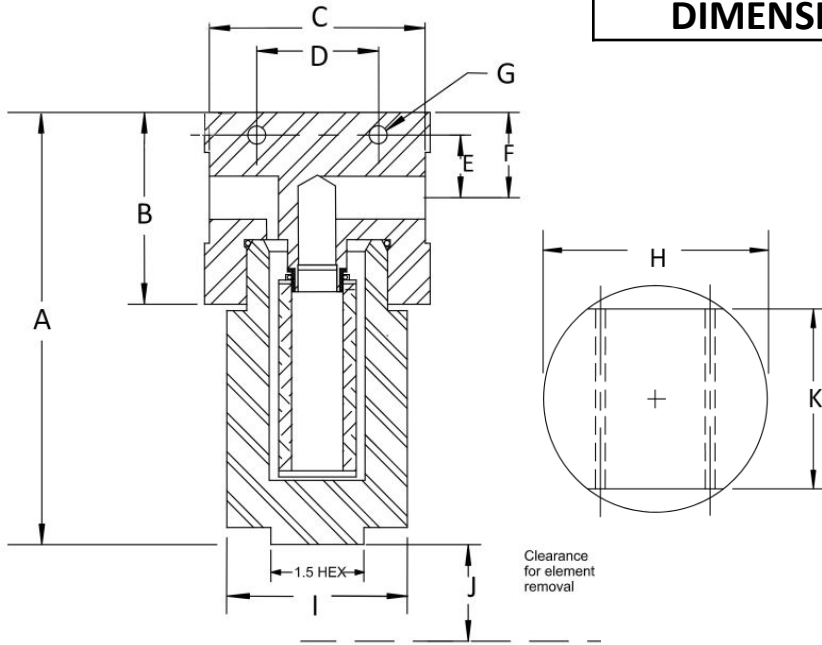
ELEMENT

MICRON RATING
COLLAPSE RATING
O-RING TYPE

8500 Series T-Type Filters



DIMENSIONS



DIMENSIONS					
Element #	233	234	284	285	286
Flow (GPM/SCFM)	10/300	16/600	24/1,200	35/2,500	50/4,000
Port Size Code	25,38,50,75, 86,05,10, 15,35,41	27,40,52, 77,88,12, 17,37,43	29,42,54, 79,90,14, 19,39,45	92,96,97, 16,51,55, 47,65,85	94,98,99, 18,53,57, 49,67,87
A	8.00	10.12	10.84	11.7	14.36
B	3.25	3.25	3.25	4.24	4.24
C	3.75	3.75	3.75	5.00	5.00
D	2.00	2.00	2.00	2.25	2.25
E	1.00	1.00	1.00	1.38	1.38
F	1.38	1.38	1.38	1.88	1.88
G	.345	.345	.345	.400	.400
H	3.75	3.75	3.75	5.00	5.00
I	2.875	2.875	2.875	3.500	3.500
J	4.8	6.7	7.4	7.4	9.9
K	2.73	2.73	2.73	3.98	3.98

HEAD ACCESSORY OPTIONS

