

# 8600 Series T-Type Filters

## FILTER ASSEMBLY PART NUMBER

**S 86 1 2 - N 12M C - VDC B4**

HOUSING MATERIAL		
Code	Material	Pressure (PSI) Operating/Proof/Burst
S	303 SS	10,000/15,000/40,000
G	316 SS	10,000/15,000/40,000
P	17-4 SS	20,000/30,000/80,000

BOWL DRAIN PORT			
Code (Optional)	Size	Type	Housing Material
B1	1/8"	NPT	S or G
B2	1/4"	NPT	S or G
B4	1/4"	SAE	S or G
BMP	1/4"	MP	P Only

ELEMENT SIZE / FLOW			
Code	GPM	SCFM	Element #
1	10	300	233
2	16	600	234
3	24	1200	284

ACCESSORY OPTIONS				
Code (Optional)	Type	Size / Type	Allowable Accessory Combinations	
V	Visual	N/A	V	E
E	Electrical	N/A	D1 or D2 or D4	VE
B	50psi Bypass	N/A	B or B# [ex: B100]	V(D1/D2/DMP) [ex: VD1]
B#	Custom Bypass (ex: B75 @75psi) Max: 100 PSI	N/A	VB or VB# [ex: VB]	E(D1/D2/DMP) [ex: ED2]
D1	Dp Port	1/8" NPT	(D1/D2/DMP)B or (D1/D2/DMP)B# [ex: D1B75]	EB or EB# [ex: EB]
D2	Dp Port	1/4" NPT		
DMP	Dp Port	1/4" MP		

PORT SIZE / TYPE / OPERATING PRESSURE			
Code	Size	Type	Operating Pressure
1	1/4"	MP	20,000
2	3/8"	MP	20,000
3	9/16"	MP	20,000
4	3/4"	MP	20,000
5	1/4"	NPT	10,000
6	1/2"	NPT	10,000
7	3/4"	NPT	10,000
8	1"	NPT	10,000

COLLAPSE RATING			
Code	Material	Material Grade	Rating (PSI)
A	Cellulose	N/A	150
B	Cellulose	N/A	300
C	Microglass	N/A	300
D	Microglass	N/A	3,250
E	Wire Mesh	304 SS	4,500
F	Sintered	316SS	2,000
G	Wire Mesh	316SS	4,500

O-RING TYPE		
Code	Description	Temperature (°F)
N	Nitrile (Buna)	-40 to 250
N9	Nitrile 90 Durometer	-40 to 250
V	Viton	-20 to 400
V9	Viton 90 Durometer	-20 to 400
E	EPR	-60 to 300
K	Kalrez	-40 to 550
S	Teflon Encapsulated Viton	-10 to 300
T	Teflon	-320 to 450

- Kalrez, and Teflon products will incur additional product cost  
 - Add the Kalrez o-ring number to the end of the part number (ex: G8612-K-707512MC-VDCB4)  
 - Kalrez will incur longer lead times  
 - Teflon Max operating pressure = 10k psi

MICRON RATING			
	Code	Nominal	Absolute
Cellulose (Only A or B Collapse)	3C	3	N/A
	10C	10	N/A
Microglass (Only C or D Collapse)	1M	N/A	1
	3M	N/A	3
	6M	N/A	6
	12M	N/A	12
	25M	N/A	25
Sintered 316SS (Only F Collapse)	1PM	.2	.5
	2PM	.5	1
	3PM	1	2
	4PM	3	5
Wire Mesh 304SS or 316SS (Only E or G Collapse)	10W	2	10
	18W	5	18
	25W	10	25
	75W	40	75
	100W	75	100
	150W	100	150

REPLACEMENT ELEMENT PART NUMBER	
<b>284 - 18W E N</b>	

<b>ELEMENT #</b>
<b>MICRON RATING</b>
<b>COLLAPSE RATING</b>
<b>O-RING TYPE</b>

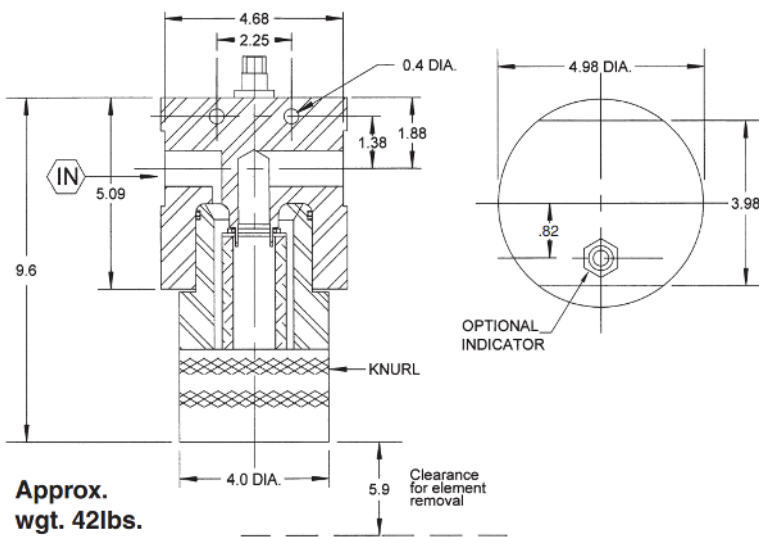
ADDITIONAL SPECIFICATIONS	
- Omit code is optional accessories are not to be included	
- A maximum of up to 2 visual, electrical, Dp and Bypass accessory ports allowed. (See ACCESSORY OPTIONS table)	

# 8600 Series T-Type Filters

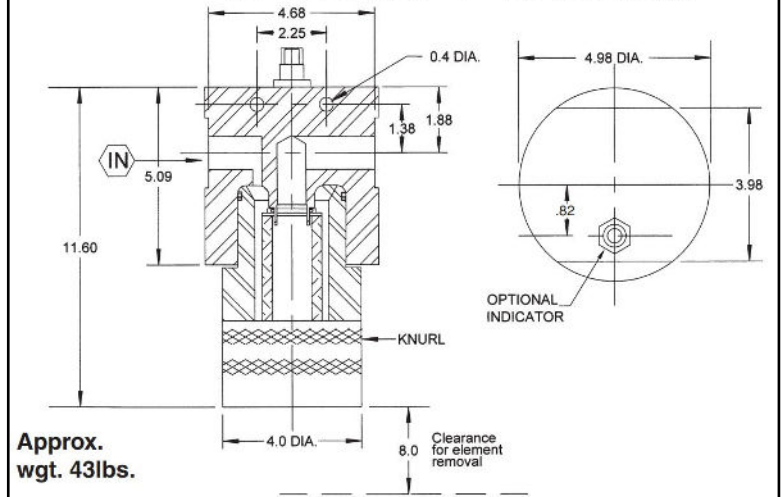


## DIMENSIONS

**Element Code (1) – GPM (10) - Element Size (233)**



**Element Code (2) – GPM (16) - Element Size (234)**



**Element Code (3) – GPM (24) - Element Size (284)**

