

8500 Series Coalescing T-Type Filters

FILTER ASSEMBLY PART NUMBER

G 85 50 C - N PCMA - BS6

HOUSING MATERIAL

Code	Material	Pressure (PSI) Operating/Proof/Burst
A	Aluminum	5,000/7,500/20,000
S	303 SS	6,000/9,000/24,000
G	316 SS	6,000/9,000/24,000

BOWL DRAIN PORT

Code (Optional)	Size	Type
BS6	3/8"	SAE

PORT SIZE / TYPE / FLOW RATE

Element #	233*	284
SCFM	300	1200
1/4" NPT	25	29
3/8" NPT	38	42
1/2" NPT	50	54
3/4" NPT	75	79
1" NPT	86	90
1.25" NPT	N/A	N/A
1.5" NPT	N/A	N/A
1/4" SAE	05	N/A
3/8" SAE	10	14
1/2" SAE	15	19
3/4" SAE	35	39
1" SAE	41	45
1.25" SAE	N/A	N/A
1.5" SAE	N/A	N/A

- * None of the 233 Flow Rate codes, (25 through 41), are available with a "PCMA" micron rating. The 233 flow rate items, (25 through 41), are only available with .3MA micron ratings.

MICRON RATING

Code	Grade	Micron Value	Efficiency (1)	Oil Carry Over PPM w/w (2)	Media Dry (3)	Media Wet(4)
.3MA	4	.3	99.995%	.003	1.25 PSID	3-4 PSID
PCMA	10	.3	99%	.85	.5 PSID	.5 PSID

- (1) Efficiency 0.3-0.6 um particles
- (2) Tested per BCAS 860900 at 40 ppm inlet
- (3) Add dry + wet media for total pressure drop

O-RING TYPE

Code	Description	Temperature (°F)
N	Nitrile (Buna)	-40 to 250
N9	Nitrile 90 Durometer	-40 to 250
V	Viton	-20 to 400
V9	Viton 90 Durometer	-20 to 400
E	EPR	-60 to 300
K	Kalrez	-40 to 550
S	Teflon Encapsulated Viton	-10 to 300
T	Teflon	-320 to 450

- Kalrez, and Teflon products will incur additional product cost
- Add the Kalrez o-ring number to the end of the part number (ex: G8550-K-707510WE-VD1B2)
- Kalrez will incur longer lead times
- Teflon Max operating pressure = 10k psi

REPLACEMENT ELEMENT SELECTION GUIDE

Element Part # (Without O-Ring)	Flow (SCFM)	Grade	Micron Value	Efficiency (1)	Oil Carry Over PPM w/w (2)	Media Dry (3)	Media Wet(4)
233C-.3MA	300	4	.3	99.995%	.003	1.25 PSID	3-4 PSID
284C-.3MA	1200	4	.3	99.995%	.003	1.25 PSID	3-4 PSID
284C-PCMA	1200	10	.3	99%	.85	.5 PSID	.5 PSID

- (1) Efficiency 0.3-0.6 um particles
- (2) Tested per BCAS 860900 at 40 ppm inlet
- (3) Add dry + wet media for total pressure drop

REPLACEMENT ELEMENT PART NUMBER

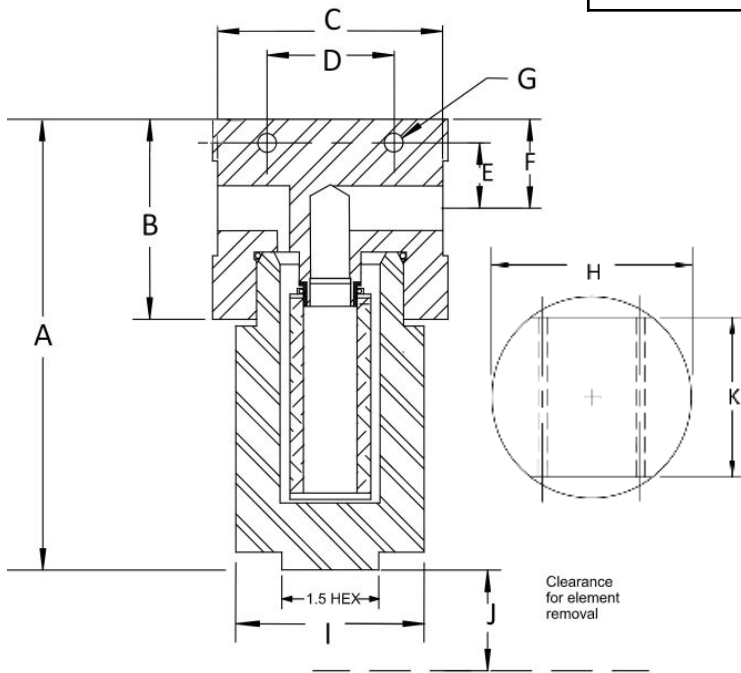
233 C - PCMA V

ELEMENT #
MICRON RATING
O-RING TYPE

8500 Series Coalescing T-Type Filters



DIMENSIONS



DIMENSIONS

Element #	233	284
Flow (GPM/SCFM)	10/300	24/1,200
Port Size Code	25,38,50,75, 86,05,10, 15,35,41	29,42,54, 79,90,14, 19,39,45
A	8.00	10.84
B	3.25	3.25
C	3.75	3.75
D	2.00	2.00
E	1.00	1.00
F	1.38	1.38
G	.345	.345
H	3.75	3.75
I	2.875	2.875
J	4.8	7.4
K	2.73	2.73